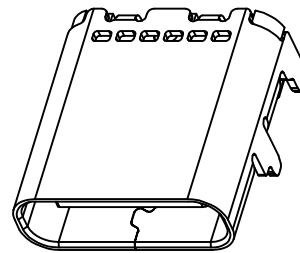
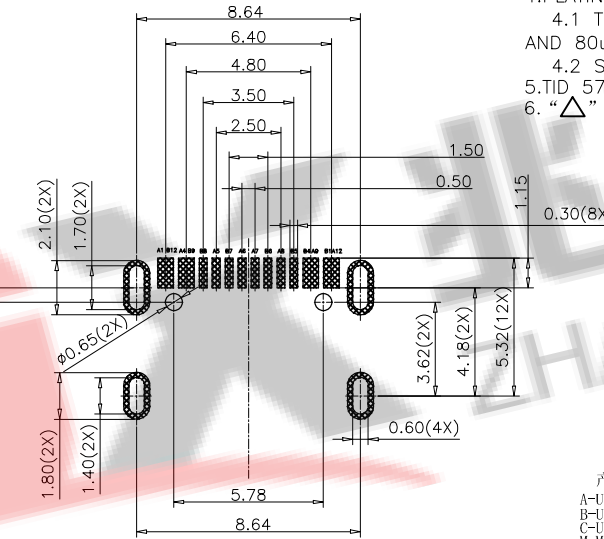
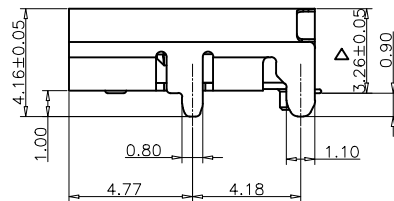
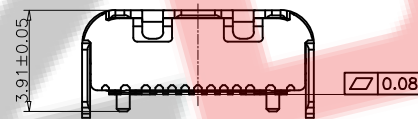
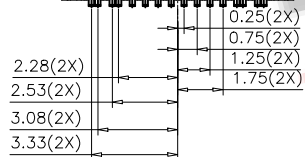
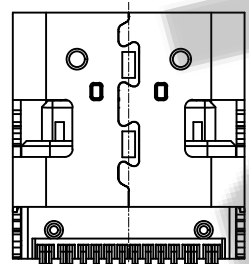
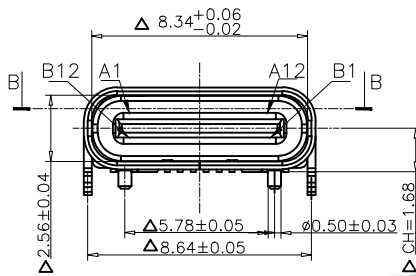


截面B-B



NOTE:

- 1.MATERIAL:
 - 1.1 INSULATOR: HIGH TEMPERATURE PLASTIC UL 94V-0;
 - 1.2 CONTACT: COPPER ALLOY
 - 1.3 SHELL:STAINLESS STEEL
- 2.ELECTRICAL CHARACTERISTICS:
 - 2.1 CONTACT RESISTANCE: 40mΩ Max FOR INITIAL. 30mΩ CHANGE AFTER TEST. MEASURE AT 20mV, 100mA.
 - 2.2 CONTACT CURRENT RATING: 5A FOR VBUS PIN; 1.25A FOR VCONN PIN.
 - 2.3 DIELECTRIC WITHSTANDING VOLTAGE: 100V AC R.M.S.
 - 2.4 INSULATION RESISTANCE 100MΩ Min
 - 2.5 OPERATING TEMPERATURE: -40°C ~ 85°C
- 3 MECHANICAL CHARACTERISTICS:
 - 3.1 MATING FORCE: 5~20 N.
 - 3.2 UNMATED FORCE: 8~20N AFTER TEST
 - 3.3 DURABILITY: 10,000 CYCLES
- 4.PLATING
 - 4.1 TERMINAL CONTACT: (SEE TAB) GOLD PLATING ALL OVER 50u" Min NICKEL AND 80u"Min Tin ALL OVER 50u" Min NICKEL ON SOLDER AREA
 - 4.2 SHELL: 50u" Min. NICKEL ALL OVER,
- 5.TID 5719
6. "Δ" Focus on size control



RECOMMENDED P.C.B LAYOUT

料号编码:

XXX - XX XX XX X X XXXX

产品类别: A-USBA, B-USBB, C-USBC, M-MICRO, Y-MINI, F-母座, M-公头

产品上板形态: L-立式, M-卧式

S-贴片, D-插件, C-沉板, J-夹板, H-焊线, XF-防水产品, X=上板类型

PIN 数: 06:6PIN, 16:16PIN, 24:24PIN, 以此产品为准

包装方式: 1. TRAY (吸塑盒), 2. TAPE (编带), 3. TAPE (袋装)

产品识别流水码

PIN ASSIGNMENT:

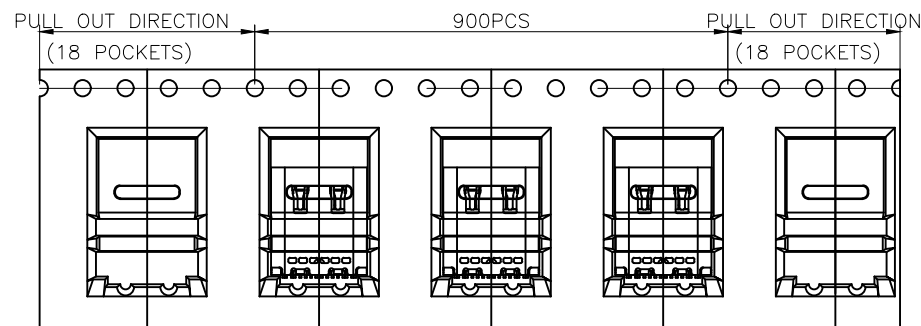
Pin No.	Signal Name	Pin No.	Signal Name
A1	CND	B12	CND
A2		B11	
A3		B10	
A4	VBUS	B9	VBUS
A5	CC1	B8	SBU2
A6	D+	B7	D-
A7	D-	B6	D+
A8	SBU1	B5	CC2
A9	VBUS	B4	VBUS
A10		B3	
A11		B2	
A12	CND	B1	CND

ZDX 深圳市兆达鑫科技有限公司
Shenzhen zhaodaxin Technology Co., Ltd

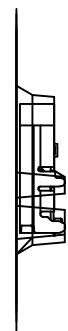
TITLE: TYPE C 板上单排16PIN L=9.50MM无弹片		PART NO.:ZDX-CFMS162CY32		
工程图		TEL:0755-29888153		
THIRD ANGLE PROJECTION		WEB: http://www.szzdjmkj.com/		
	UNIT: mm	SCALE: 1:1	SIZE: A4	SHEET: 1/2

RoHS Compliant

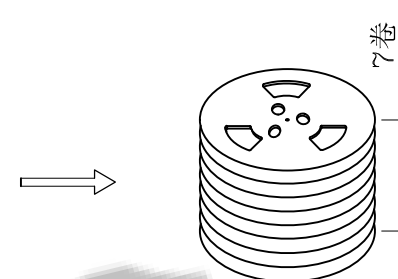
Halogen Free



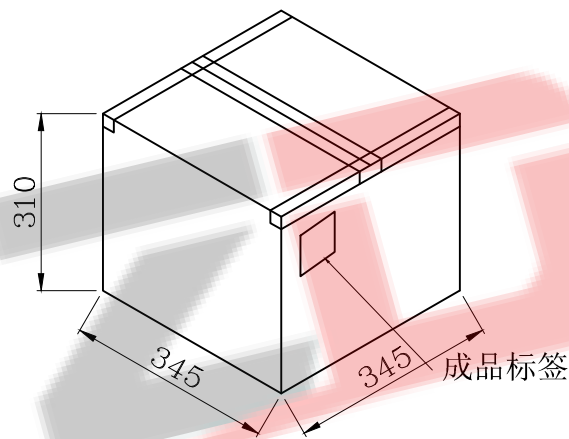
① 产品入载带示意图



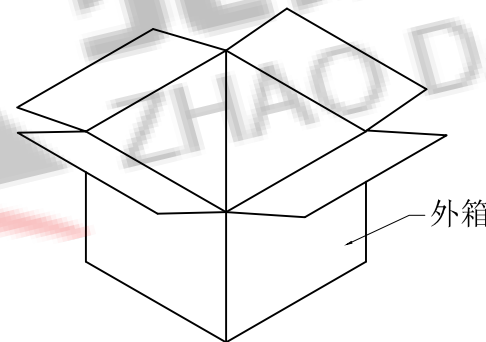
② 卷盘贴标签示意图



③ 7盘产品叠层示意图



⑤ 外箱封箱示意图



④ 产品入外箱示意图

	REEL	CARTON
CONNECTOR (PCS)	900	6300

包装说明:

1. 将检验好的成品;对插口朝前放入载带;每卷装900PCS产品;具体如图一所示
2. 将包装好的产品;每盘必需贴上内标签;具体如图二所示
3. 将贴好内标签的产品每7盘叠;具体如图三所示
5. 装好后并封好纸箱及贴好相关标签;具体如图五所示;
(产品包装的标签,如客户有要求,请按客户要求包装出货)
6. 载带前面留18PCS空格,后面留18PCS空格
7. COVER与CARRY剥离力:50-125g,速度:300mm/分钟左右,剥离角度:165°-180°



深圳市兆达鑫科技有限公司

Shenzhen zhaodaxin Technology Co., Ltd

TITLE:		PART NO.:ZDX-CFMS162CY32		
TYPE-C 16PIN板上包装规范		TEL:0755-29888153		
工程图		WEB: http://www.szzdjmj.com/		
THIRD ANGLE PROJECTION	UNIT:	SCALE:	SIZE:	SHEET:
	mm	1:1	A4	2/2