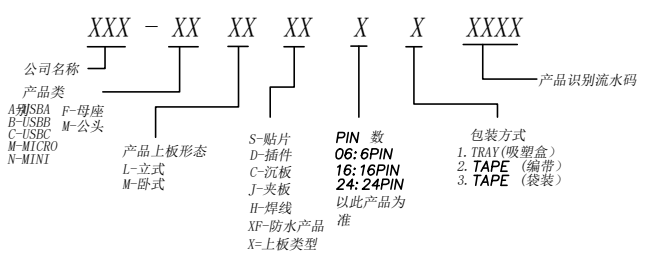


NOTE:

1. MATERIAL SPECIFICATION:
 1. HOUSING: HIGH TEMPERATURE RESISTANT PLASTIC, UL94 V-0.
 2. CONTACTS: COPPER ALLOY
 3. MID PLATE: STAINLESS STEEL
2. PLATING SPECIFICATION:
 - 2-1. CONTACTS:
 - Ni 50u" MIN. UNDER PLATED OVER ALL.
 - Au PLATED ON THE FUNCTIONAL AREA OF CONTACT. (GOLD PLATING THICKNESS FOLLOW THE P/N)
 - GOLD FLASH PLATING ON SOLDER AREA
 - 2-2. FRONT SHELL:
 - Ni 30u" MIN. UNDER PLATED OVER ALL.
3. MECHANICAL PERFORMANCE,
 - 3-1. INSERTION FORCE: 0.5~2.0kgf.
 - 3-2. REMOVAL FORCE: 0.8kgf~2.0kgf.
 - 3-3. DURABILITY: 10000 CYCLES.
4. ELECTRICAL PERFORMANCE,
 - 4-1. CURRENT RATING: 5A
VOLTAGE RATING: 20V
 - 4-2. INSULATION RESISTANCE: 100MΩ MIN
 - 4-3. DIELECTRIC WITHSTAND VOLTAGE, AC 100V FOR 1 MINUTE.
 - 4-4. LOW CONTACT RESISTANCE: INITIAL 40MΩ
AFTER 50MΩ
5. ENVIRONMENTAL PERFORMANCE:
 - OPERATING TEMPERATURE: -30°C~+80°C.
6. IR REFLOW:
 - THE PEAK TEMPERATURE ON THE BOARD SHALL BE MAINTAINED FOR 10 SECONDS AT 260°C.

料号编码:



ZDX 深圳市兆达鑫科技有限公司
Shenzhen zhaodaxin Technology Co., Ltd

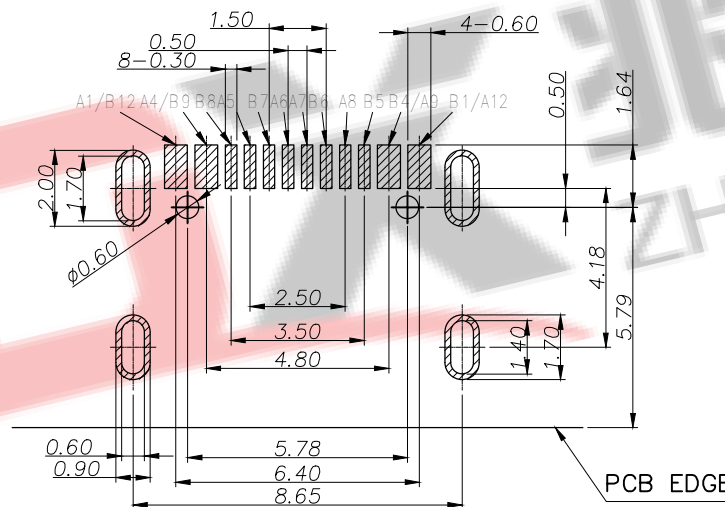
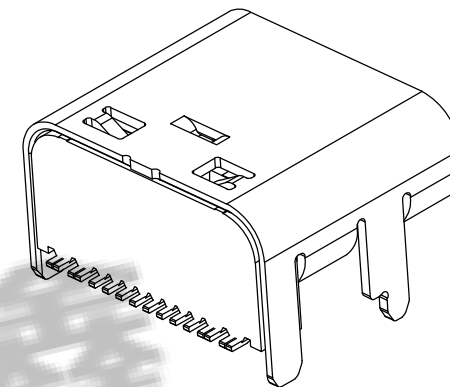
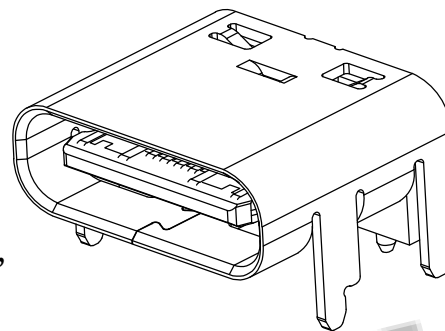
TITLE: TYPE-C/F 16PIN 板 上垫高1.0MM L=7.35mm加高1.0mm 业务图		DRAW NO: ZDX-CFMS162DB01		
		TEL: 0755-29888153		
		WEB: http://www.szzdjmj.com/		
THIRD ANGLE PROJECTION	UNIT: mm	SCALE: 1:1	SIZE: A4	SHEET: 1/2

7.P/N: UCR06-8161X-00XR

16:16 PIN

B:Blck
N:NATURE

- 1: GOLD FLASH PLATING ON CONTACT AREA, GOLD FLASH PLATING ON SOLDER AREA
- 3: 3u" GOLD PLATING ON CONTACT AREA, GOLD FLASH PLATING ON SOLDER AREA



RECOMMEND P.C.B LAYOUT(COMPONENT SIDE)

TOLERANCE FOR PCB LAYOUT IS ± 0.05

料号编码:

XXX - XX XX XX X X XXXX



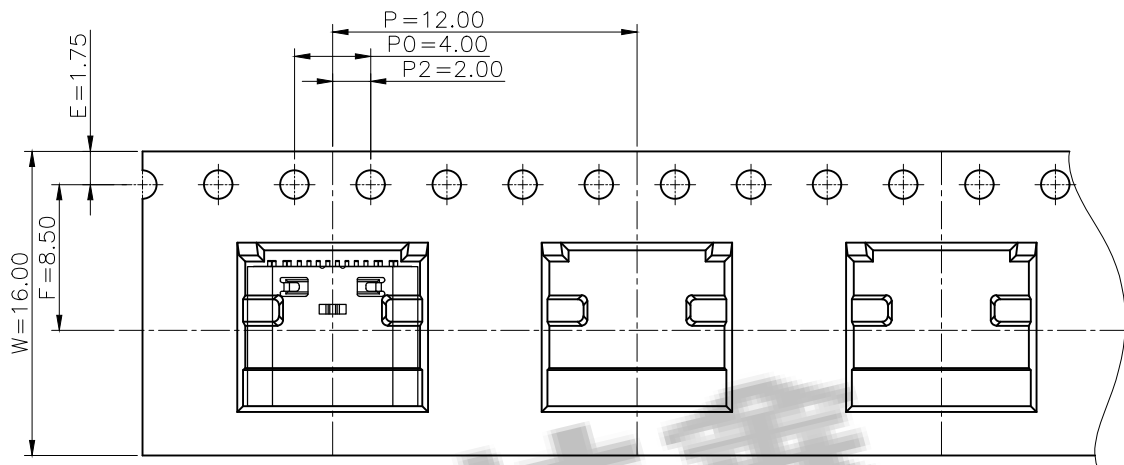
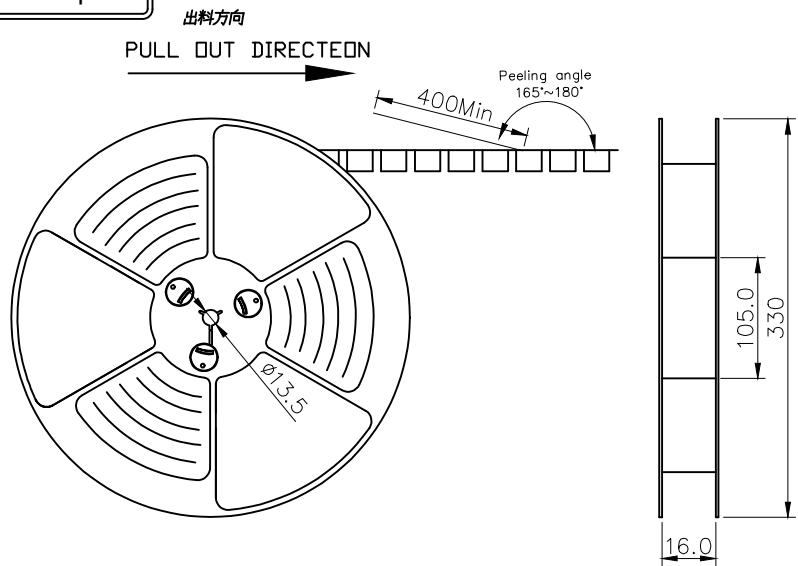
USB TYPE-C PIN ASSIGNMENTS

PIN NUMBER	SIGNAL NAME
A1	GND
A4	VBUS
A5	CC1
A6	Dp1
A7	Dn1
A8	SBU1
A9	VBUS
A12	GND

PIN NUMBER	SIGNAL NAME
B12	GND
B9	VBUS
B8	SBU2
B7	Dn2
B6	Dp2
B5	CC2
B4	VBUS
B1	GND

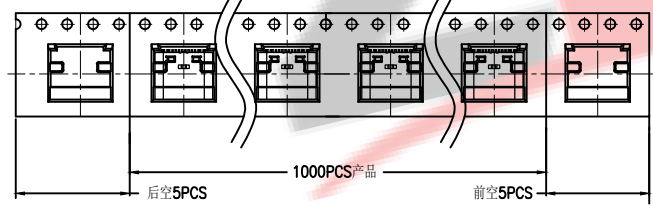
深圳市兆达鑫科技有限公司
 Shenzhen zhaodaxin Technology Co., Ltd

TITLE: TYPE-C/F 16PIN 板 上垫高1.0MM L=7.35mm加高1.0mm 业务图	DRAW NO: ZDX-CFMS162-DB01			
	TEL: 0755-29888153			
	WEB: http://www.szzdjmj.com/			
THIRD ANGLE PROJECTION	UNIT:	SCALE:	SIZE:	SHEET:
	mm	1:1	A4	1/2



NOTES

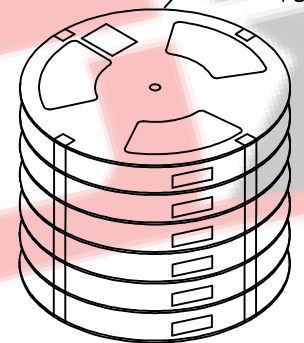
1. 帶子引導長度
LEAD TAPE LENGTH



2. 上帶 剝力力為: 0.1~1.3N(10.2gf~ 130gf)
PEELING OFF FORCE OF TOP TAPE: 0.1~1.3N(10.2gf~ 130gf)
出貨運輸過程中一定注意:
THIS REQUIREMENT SHOULD BE APPLIED AT SHIPMENT:
卷帶在運輸過程中不能散開
PEELING OFF SHOULD NOT BE ALLOWED DURING TRANSPORTATION

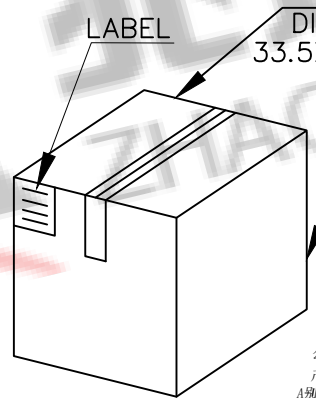
TAPE & REEL 14 PCS

1 REEL
= 1000 PCS

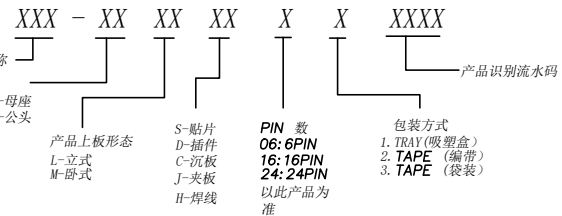


BOX

DIMENSIONS:
33.5X33.5X30.5



1 CARTON
= 14 REELS
= 10000 PCS
料号编码:



包装明细表 (The detail of the packing) Carton

產品料號 (Product No.)	包裝容量 (Packing Capacity)		重量 Weight (Kg)			
	pcs/box	boxs/Carton	Pcs/Box	N.W./Pcs	N.W./Box	G.W./Box
UCR02-2161X-00XR	1000	14	14000	---	---	---

ZDX 深圳市兆达鑫科技有限公司
Shenzhen zhaodaxin Technology Co., Ltd

TITLE: TYPE-C/F 16PIN 板 上墊高1.0MM L=7.35mm加高1.0mm 业务图	DRAW NO: ZDX-CFMS162DB01			
	TEL: 0755-29888153			
	WEB: http://www.szzdjmj.com/			
THIRD ANGLE PROJECTION 	UNIT: mm	SCALE: 1:1	SIZE: A4	SHEET: 1/2