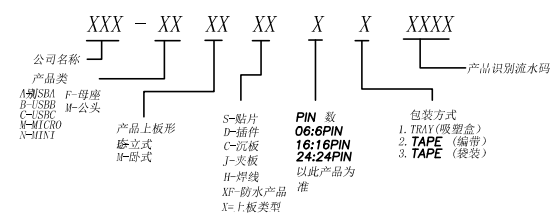


4	SHELL	STAINLESS STEEL T=0.30MM	NI 40u"MIN	1PCS
3	SHIELDING PLATE	STAINLESS STEEL T=0.15MM	N/A	1PCS
2	CONTACT	COPPER ALLOY T=0.15MM	Mating area 1u"Au Solder Tails: G/F Underplate: 80u"Min Ni overall	2SET
1	INSERT MOLDING	LCP UL94V-0	BLACK	1PCS
NO.	DESCRIPTION	MATERIAL	REMARKS	

NOTE:

- MATERIAL SPECIFICATION:
 - HOUSING: HIGH TEMPERATURE RESISTANT PLASTIC, UL94 V-0.
 - CONTACTS: COPPER ALLOY
 - MID PLATE: STAINLESS STEEL
 - INSIDE SHELL: STAINLESS STEEL
 - OUTSIDE SHELL: STAINLESS STEEL
- PLATING SPECIFICATION:
 - CONTACTS:
 - Ni 50u" MIN. UNDER PLATED OVER ALL.
 - Au PLATED ON THE FUNCTIONAL AREA OF CONTACT. (GOLD PLATING THICKNESS FOLLOW THE P/N)
 - GOLD FLASH PLATING ON SOLDER AREA
 - INSIDE SHELL OR OUTSIDE SHELL:
 - Ni 30u" MIN. UNDER PLATED OVER ALL.
- MECHANICAL PERFORMANCE,
 - INSERTION FORCE: 0.5~2.0kgf.
 - REMOVAL FORCE: 0.8kgf~2.0kgf.
 - DURABILITY: 10000 CYCLES.
- ELECTRICAL PERFORMANCE,
 - CURRENT RATING: 5A
VOLTAGE RATING: 20V
 - INSULATION RESISTANCE: 100MΩ MIN
 - DIELECTRIC WITHSTAND VOLTAGE, AC 100V FOR 1 MINUTE.
 - LOW CONTACT RESISTANCE: INITIAL 40MΩ
AFTER 50MΩ
- ENVIRONMENTAL PERFORMANCE:
 - OPERATING TEMPERATURE: -30°C~+80°C.
- IR REFLOW:
 - THE PEAK TEMPERATURE ON THE BOARD SHALL BE MAINTAINED FOR 10 SECONDS AT 260°C.

料号编码:



ZDX 深圳市兆达鑫科技有限公司
Shenzhen zhaodaxin Technology Co., Ltd

TITLE: TYPE-C/F 16PIN 板上垫高1.6MM L=8.00MM 工程图		DRAW NO.: ZDX-CFMS162DB02		
		TEL: 0755-29888153		
		WEB: http://www.szzdjmkj.com/		
THIRD ANGLE PROJECTION	UNIT: mm	SCALE: 1:1	SIZE: A4	SHEET: 1/3

RoHS Compliant

Halogen Free

CUSTOMER DRAWING

7.P/N: UCR04-5161X-00XR

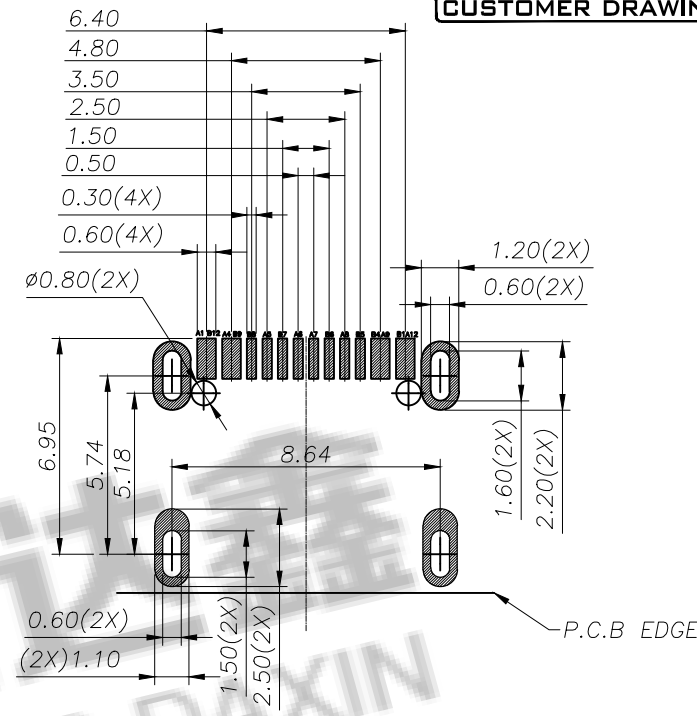
16:16 PIN

B:Blck
N:NATURE

- 1: GOLD FLASH PLATING ON CONTACT AREA, GOLD FLASH PLATING ON SOLDER AREA
- 3: 3u" GOLD PLATING ON CONTACT AREA, GOLD FLASH PLATING ON SOLDER AREA
- 5: 3u" GOLD PLATING ON CONTACT AREA, GOLD FLASH PLATING ON SOLDER AREA

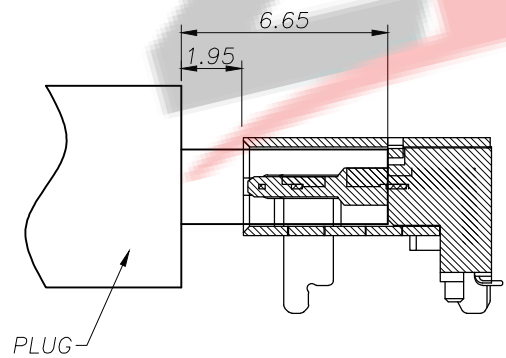
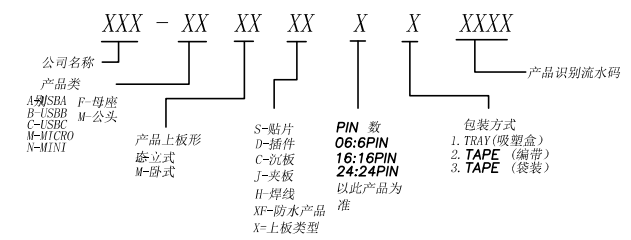
USB TYPE-C PIN ASSIGNMENTS

PIN NUMBER	SIGNAL NAME	PIN NUMBER	SIGNAL NAME
A1	GND	B12	GND
A4	VBUS	B9	VBUS
A5	CC1	B8	SBU2
A6	Dp1	B7	Dn2
A7	Dn1	B6	Dp2
A8	SBU1	B5	CC2
A9	VBUS	B4	VBUS
A12	GND	B1	GND



RECOMMEND P.C.B LAYOUT(COMPONENT SIDE)
TOLERANCE FOR PCB LAYOUT IS ± 0.05

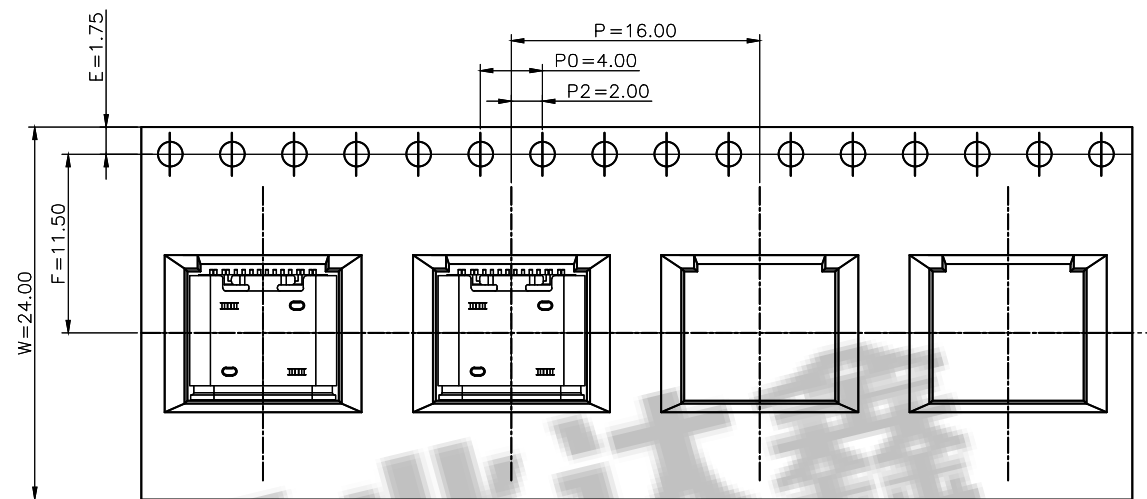
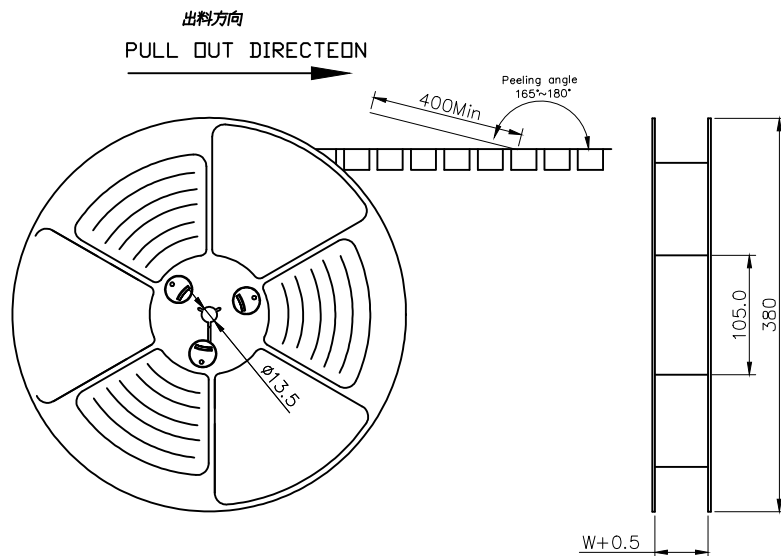
料号编码:



AFTER MATING
SCALE 1:1

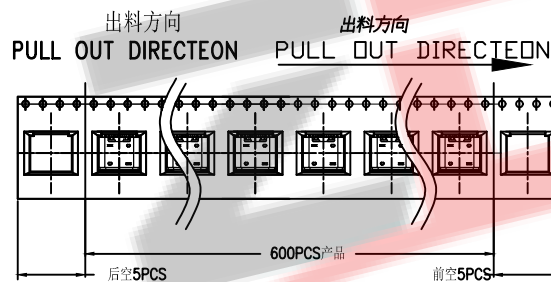
ZDX 深圳市兆达鑫科技有限公司
Shenzhen zhaodaxin Technology Co., Ltd

TITLE: TYPE-C/F 16PIN 板上垫高 1.6MM L=8.00MM 工程图		DRAW NO.: ZDX-CFMS162DB02		
		TEL: 0755-29888153		
		WEB: http://www.szzdjmj.com/		
THIRD ANGLE PROJECTION	UNIT: mm	SCALE: 1:1	SIZE: A4	SHEET: 2/3



NOTES

1. 帶子引導長度
LEAD TAPE LENGTH



2. 上帶 剝離力為: 0.1~1.3N(10.2gf~130gf)
PEELING OFF FORCE OF TOP TAPE: 0.1~1.3N(10.2gf~130gf)
出貨運輸過程中一定注意:
THIS REQUIREMENT SHOULD BE APPLIED AT SHIPMENT:
卷帶在運輸過程中不能散開
PEELING OFF SHOULD NOT BE ALLOWED DURING TRANSPORTATION

TAPE & REEL 7 PCS

1 REEL
= 600 PCS

BOX

DIMENSIONS:
39.5X39.5X20

1 CARTON
= 6 REELS
= 3600 PCS

ZDX 深圳市兆達鑫科技有限公司
Shenzhen zhaodaxin Technology Co., Ltd

TITLE:
TYPE-C/F 16PIN 板
上墊高 1.6MM
工程圖

DRAW NO.: ZDX-CFMS162DB02
TEL: 0755-29888153
WEB: <http://www.szzdjmkj.com/>

THIRD ANGLE PROJECTION
UNIT: mm

SCALE: 1:1
SIZE: A4
SHEET: 3/3

包裝明細表 (The detail of the packing) Carton						
產品料號 (Product No.)	包裝容量 (Packing Capacity)			重量 Weight (Kg)		
	pcs/box	boxs/Carton	Pcs/Box	N.W./Pcs	N.W./Box	G.W./Box
UCR04-0161X-00XR	600	6	3600	---	---	---