

NO.	DESCRIPTION	MATERIAL	REMARKS	QUANTITY
5	OUTER SHELL	SUS304 T=0.25MM	Ni 40u"MIN	1PCS
4	INNER SHELL	SUS304 T=0.30MM	Ni 40u"MIN	1PCS
3	SHIELDING PLATE	SUS301 T=0.15MM	N/A	1PCS
2	CONTACT	C2680 T=0.15MM	Mating area 1u"Au Solder Tails: G/F Underplate: 80u"Min Ni overall	2SET
1	INSERT MOLDING	LCP UL94V-0	BLACK	1PCS
NO.	DESCRIPTION	MATERIAL	REMARKS	

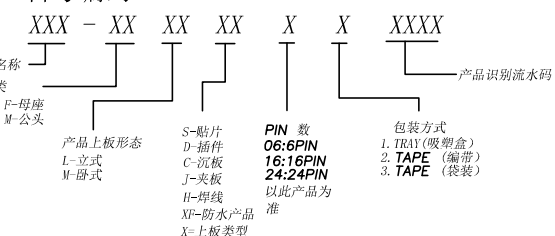
NOTE:

- MATERIAL SPECIFICATION:
  - HOUSING: HIGH TEMPERATURE RESISTANT PLASTIC, UL94 V-0.
  - CONTACTS: COPPER ALLOY
  - MID PLATE: STAINLESS STEEL
  - INSIDE SHELL: STAINLESS STEEL
  - OUTSIDE SHELL: STAINLESS STEEL
- PLATING SPECIFICATION:
  - CONTACTS:
    - Ni 50u" MIN. UNDER PLATED OVER ALL.
    - AU PLATED ON THE FUNCTIONAL AREA OF CONTACT. (GOLD PLATING THICKNESS FOLLOW THE P/N)
    - GOLD FLASH PLATING ON SOLDER AREA
  - INSIDE SHELL OR OUTSIDE SHELL:
    - Ni 30u" MIN. UNDER PLATED OVER ALL.
- MECHANICAL PERFORMANCE,
  - INSERTION FORCE: 0.5~2.0kgf.
  - REMOVAL FORCE: 0.8kgf~2.0kgf.
  - DURABILITY: 10000 CYCLES.
- ELECTRICAL PERFORMANCE,
  - CURRENT RATING: 5A  
VOLTAGE RATING: 20V
  - INSULATION RESISTANCE: 100MΩ MIN
  - DIELECTRIC WITHSTAND VOLTAGE, AC 100V FOR 1 MINUTE.
  - LOW CONTACT RESISTANCE: INITIAL 40MΩ  
AFTER 50MΩ
- ENVIRONMENTAL PERFORMANCE:
 

OPERATING TEMPERATURE: -30°C~+80°C.
- IR REFLOW:
 

THE PEAK TEMPERATURE ON THE BOARD SHALL BE MAINTAINED FOR 10 SECONDS AT 260°C.

料号编码:



**ZDX** 深圳市兆达鑫科技有限公司  
Shenzhen zhaodaxin Technology Co., Ltd

TITLE: TYPE-C/F 16PIN 板上垫高 1.9MM CH=3.5		P/N: ZDX-CFMS162DB03		
MODEL: 工程图		DRAW NO.: _____		
THIRD ANGLE PROJECTION	UNIT: mm	SCALE: 1:1	SIZE: A4	SHEET: 1/2

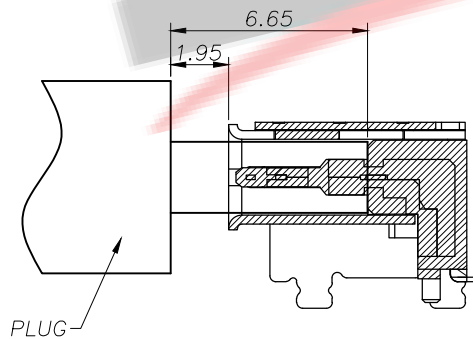
7.P/N: UCR04-4161X-00XR

16:16 PIN  
B:Black  
N:NATURE

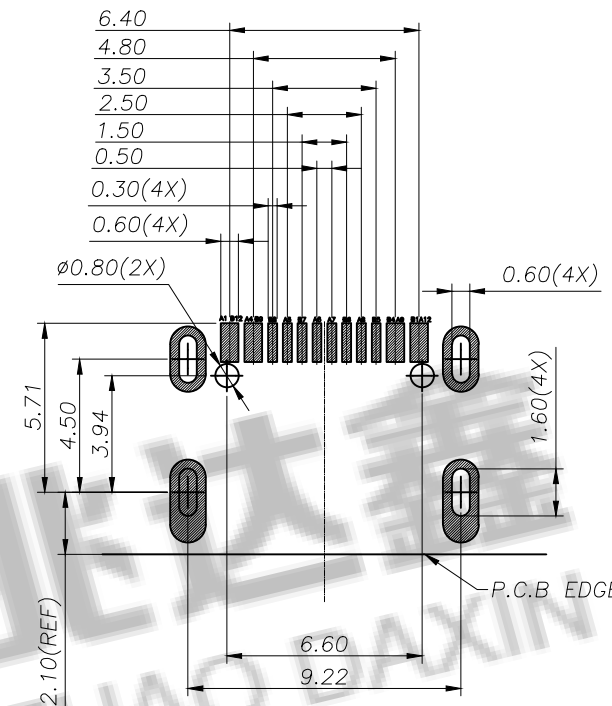
- 1: GOLD FLASH PLATING ON CONTACT AREA, GOLD FLASH PLATING ON SOLDER AREA
- 3: 3u" GOLD PLATING ON CONTACT AREA, GOLD FLASH PLATING ON SOLDER AREA
- 5: 3u" GOLD PLATING ON CONTACT AREA, GOLD FLASH PLATING ON SOLDER AREA

USB TYPE-C PIN ASSIGNMENTS

PIN NUMBER	SIGNAL NAME	PIN NUMBER	SIGNAL NAME
A1	GND	B12	GND
A4	VBUS	B9	VBUS
A5	CC1	B8	SBU2
A6	Dp1	B7	Dn2
A7	Dn1	B6	Dp2
A8	SBU1	B5	CC2
A9	VBUS	B4	VBUS
A12	GND	B1	GND

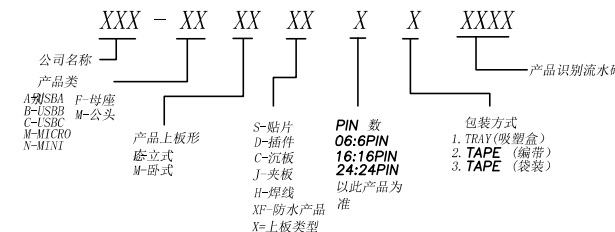


AFTER MATING  
SCALE 1:1



RECOMMEND P.C.B LAYOUT(COMPONENT SIDE)  
TOLERANCE FOR PCB LAYOUT IS ± 0.05

料号编码:



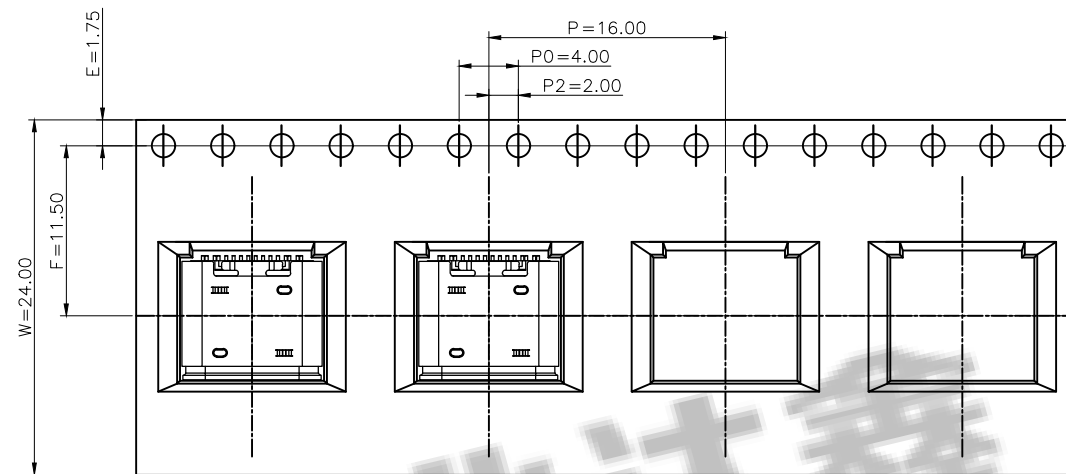
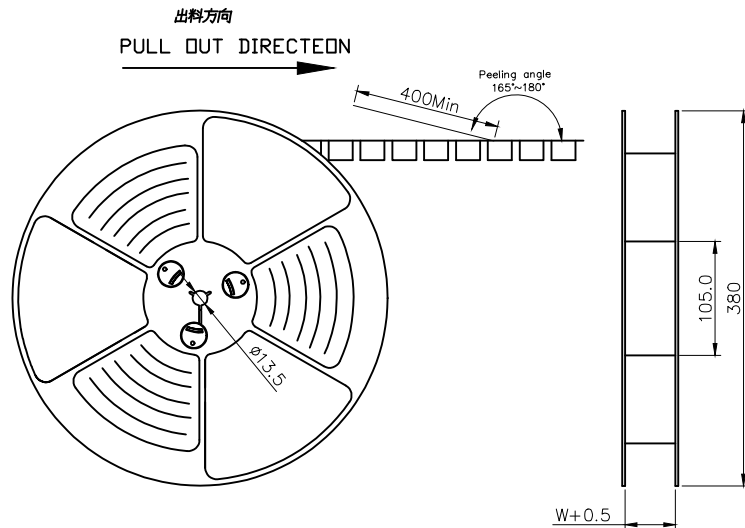
**ZDX** 深圳市兆达鑫科技有限公司  
Shenzhen zhaodaxin Technology Co., Ltd

TITLE: TYPE-C/F 16PIN 板上垫高 1.9MM CH=3.5 工程图		P/N: ZDX-CFMS162DB03		
THIRD ANGLE PROJECTION		MODEL:		
UNIT: mm		DRAW NO.: _____		
SCALE: 1:1		SIZE: A4	SHEET: 1/2	

RoHS Compliant

Halogen Free

CUSTOMER DRAWING

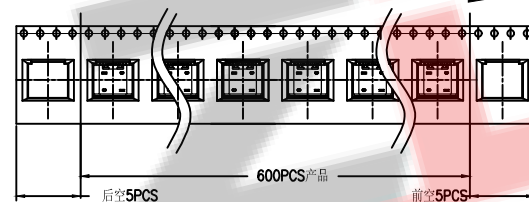


NOTES

1. 帶子引導長度

LEAD TAPE LENGTH

出料方向 PULL OUT DIRECTEON



2. 上帶 剝離力為: 0.1~1.3N(10.2gf~ 130gf)

PEELING OFF FORCE OF TOP TAPE: 0.1~1.3N(10.2gf~ 130gf)

出貨運輸過程中一定注意:

THIS REQUIREMENT SHOULD BE APPLIED AT SHIPMENT:

卷帶在運輸過程中不能散開

PEELING OFF SHOULD NOT BE ALLOWED DURING TRANSPORTATION

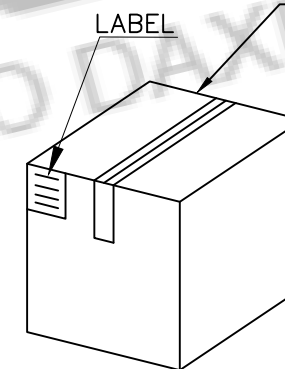
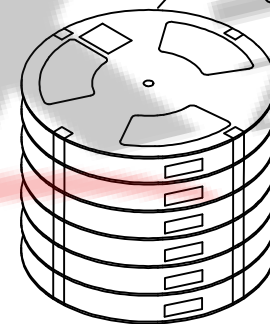
TAPE & REEL 7 PCS

1 REEL  
= 600 PCS

BOX

DIMENSIONS:  
39.5X39.5X20

1 CARTON  
= 6 REELS  
= 3600 PCS



包裝明細表 (The detail of the packing) Carton

產品料號 (Product No.)	包裝容量 (Packing Capacity)			重量 Weight (Kg)		
	pcs/box	boxes/Carton	Pcs/Box	N.W./Pcs	N.W./Box	G.W./Box
UCR04-0161X-00XR	600	6	3600	--	--	--



深圳市兆達鑫科技有限公司

Shenzhen zhaodaxin Technology Co., Ltd

TITLE: TYPE-C/F 16PIN

板上墊高 1.9MM

CH=3.50

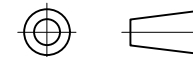
工程圖

P/N: ZDX-CFMS162DB03

MODEL:

DRAW NO.: \_\_\_\_\_

THIRD ANGLE PROJECTION



UNIT:

mm

SCALE:

1:1

SIZE:

A4

SHEET:

1/2