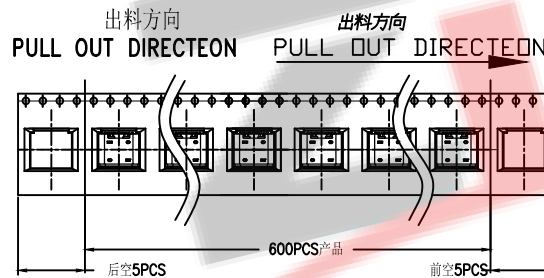


NOTES

1. 帶子引導長度
LEAD TAPE LENGTH



2. 上帶 剝離力為: 0.1~1.3N(10.2gf~130gf)
PEELING OFF FORCE OF TOP TAPE: 0.1~1.3N(10.2gf~130gf)

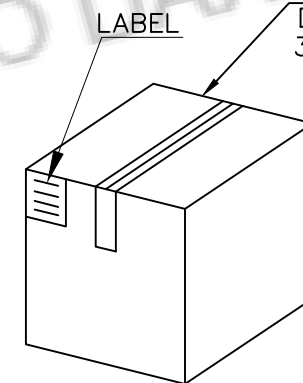
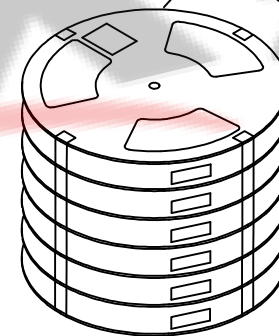
出貨運輸過程中一定注意:
THIS REQUIREMENT SHOULD BE APPLIED AT SHIPMENT:
卷帶在運輸過程中不能散開
PEELING OFF SHOULD NOT BE ALLOWED DURING TRANSPORTATION

TAPE & REEL 7 PCS

1 REEL
= 600 PCS

BOX

DIMENSIONS:
39.5X39.5X20



1 CARTON
= 6 REELS
= 3600 PCS

包裝明細表 (The detail of the packing) Carton						
產品料號 (Product No.)	包裝容量 (Packing Capacity)			重量 Weight (Kg)		
	pcs/box	boxes/Carton	Pcs/Box	N.W./Pcs	N.W./Box	G.W./Box
ZDX-CFMS162DB05	600	6	3600	—	—	—

ZDX 深圳市兆達鑫科技有限公司
Shenzhen zhaodaxin Technology Co., Ltd

TITLE: TYPE-C/F 16PIN 板上墊高3.0MM CH=4.58 工程圖		DRAW NO.: ZDX-CFMS162DB05		
THIRD ANGLE PROJECTION		TEL: 0755-29888153		
UNIT: mm		WEB: http://www.szzdjmkj.com/		
SCALE: 1:1		SIZE: A4	SHEET: 1/2	