

RoHS Compliant

Halogen Free

customer drawing

1. Material:
 Contacts: Copper alloy T=0.15
 Insulator: HIGH TEMPERATURE PLASTIC UL 94V-0,
 Shell: STEEL T=0.15
 MID Plate: Stainless Steel
 EMI Plate: Stainless Steel

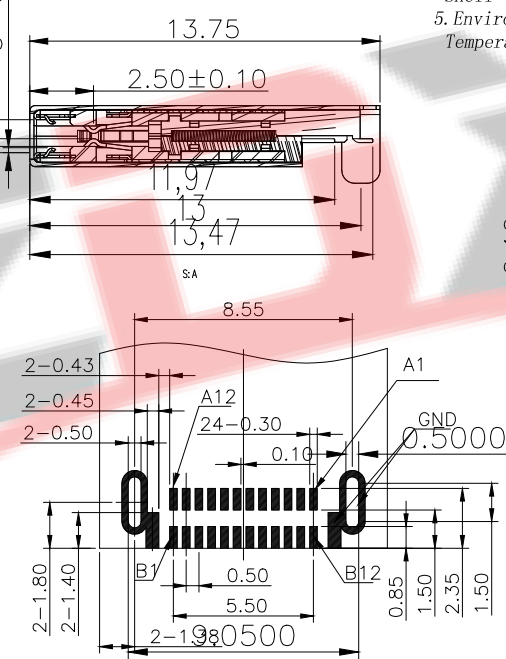
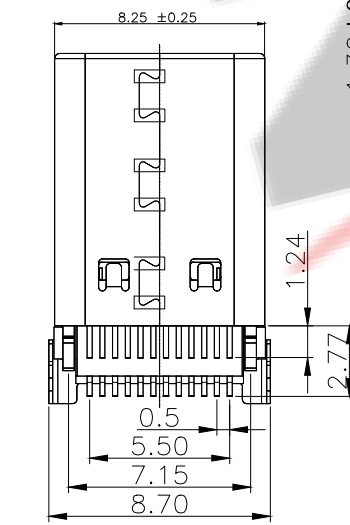
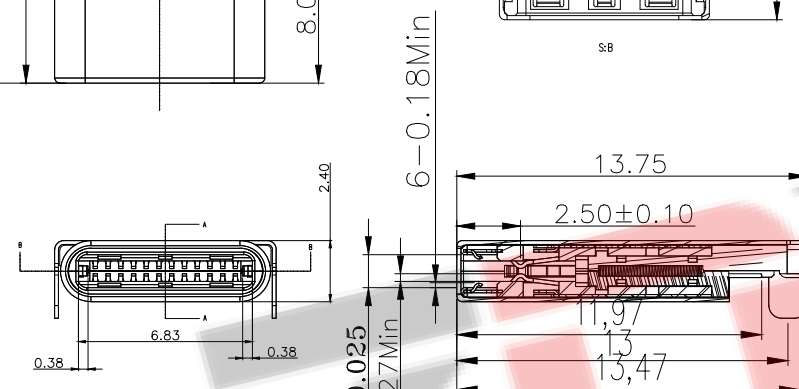
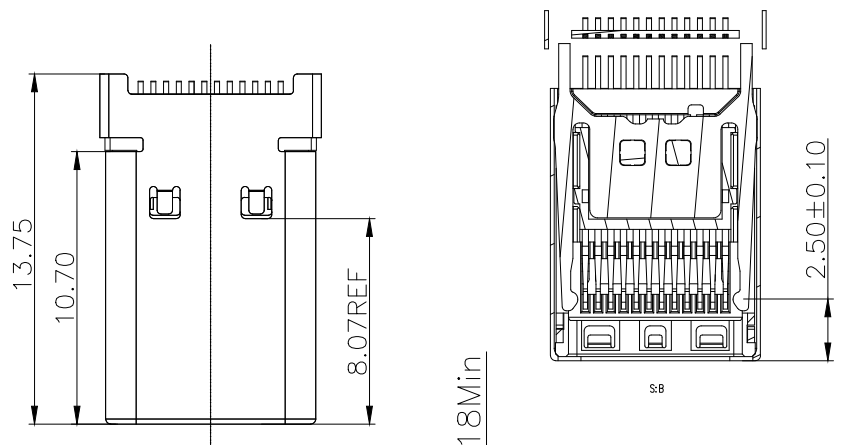
2. Electrical:
 Current-max[amps]: 5A Max For Vbus/GND PIN;
 0.9A Max For Other PIN.
 Withstanding Voltage: 100V AC R.M.S
 Contact Resistance [ohms]: 40mΩ Max. For
 Initial 10mΩ. Change After
 Test. Measure AT 20mV, 100mA

3. MECHANICAL CHARACTERISTICS:
 Mating force: 5~20N
 Unmated Force: 6~20N After test.
 Durability: 10000 cycles min.

4. Plating:
 Contacts: SEE TABLE Au plated on contact area,
 Fog SN plating 80~100u"Min on solder area
 Nickel Under plating 20u"Min over all
 Gnd pin: Plating 30u"min Nickel under overall
 on solder SN 80u"Min
 Shell : plating 50~100u"Nickel over

5. Environmental
 Temperature Range: -55° C~+85° C

G	EMI	2	SUS301	--
F	CONTACT	12	C7025	Au:1U"
E	TOP COVER	1	LCP+30%GF, UL 94V-0	BLACK
D	BOTTOM COVER	1	LCP+30%GF, UL 94V-0	BLACK
C	GND PIN	1	SUS301	30U" min NI on SN Plating
B	CONTACT	12	C7025	Au:1U"
A	SHELL	1	SUS301	50~100U" NICKEL Plating
NO	DESCRIPTION	QTY	MATERIAL	PLATING & COLOR

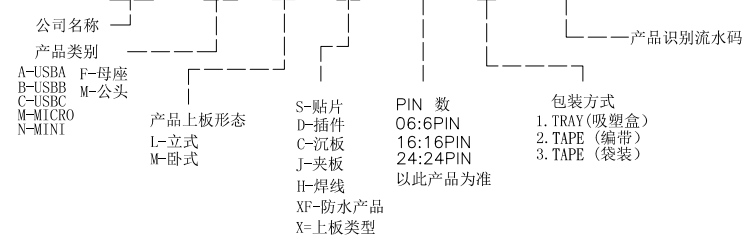


Recommended P.C.B Layout
 Tolerance ±0.05

A12	A11	A10	A9	A8	A7	A6	A5	A4	A3	A2	A1
GND	RX2+	RX2-	V _{Bus}	SBU1	D-	D+	CC1	V _{Bus}	TX1-	TX1+	GND
GND	TX2+	TX2-	V _{Bus}	CC2	D+	D-	SBU2	V _{Bus}	RX1-	RX1+	GND
B1	B2	B3	B4	B5	B6	B7	B8	B9	B10	B11	B12

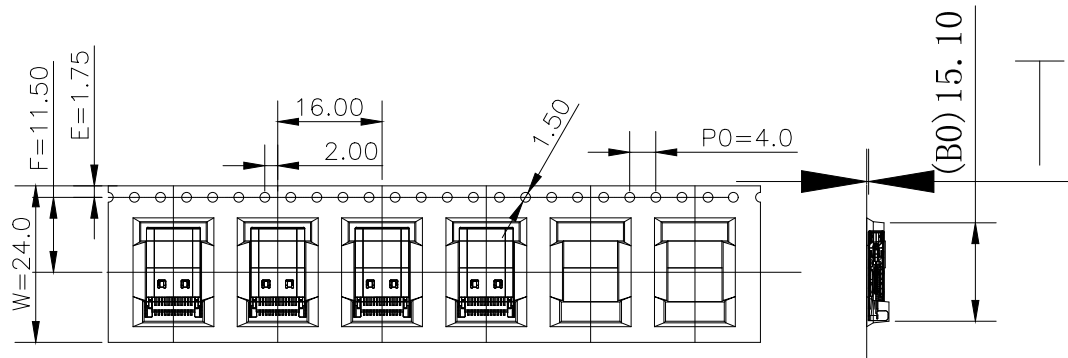
料号编码:

XXX - XX XX XX X X XXXX

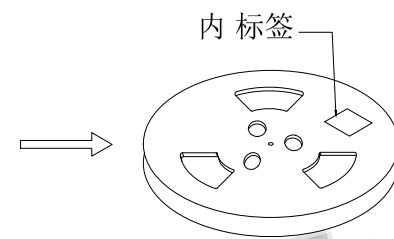


ZDX 深圳市兆达鑫科技有限公司
 Shenzhen zhaodaxin Technology Co., Ltd

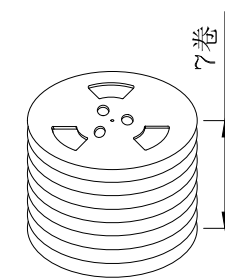
TITLE: TYPE-C 24PIN 沉板公头 双排贴片 端子卡勾加长款		PART NO.: ZDX-CMMC242CY13		
TEL: 0755-29888153		WEB: http://www.szzdjmj.com/		
工程图		UNIT: mm	SCALE: 1:1	SIZE: A4
THIRD ANGLE PROJECTION		SHEET: 1/1		



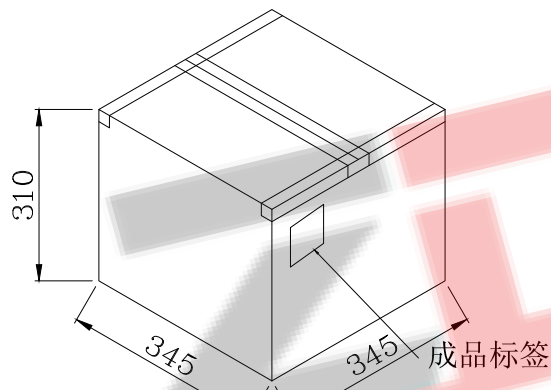
① 产品入载带示意图



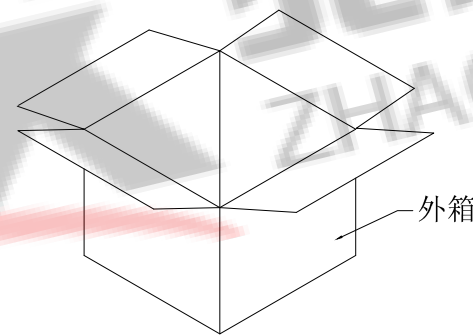
② 卷盘贴标签示意图



③ 7盘产品叠层示意图



⑤ 外箱封箱示意图



④ 产品入外箱示意图

	REEL	CARTON
CONNECTOR (PCS)	1000	7000

包装说明:

1. 将检验好的成品;对插口朝前放入载带;每卷装1000PCS产品;具体如图一所示
2. 将包装好的产品;每盘必需贴上内标签;具体如图二所示
3. 将贴好内标签的产品每7盘叠;具体如图三所示
5. 装好后并封好纸箱及贴好相关标签;具体如图五所示;
(产品包装的标签,如客户有要求,请按客户要求包装出货)
6. 载带前面留22PCS空格,后面留22PCS空格
7. COVER与CARRY剥离力:50-125g,速度:300mm/分钟左右,剥离角度:165°-180°

ZDX 深圳市兆达鑫科技有限公司
Shenzhen zhaodaxin Technology Co., Ltd

TITLE:		PART NO.: ZDX-CMMC242CY13		
TYPE-C 24PIN 沉板公头 双排贴片 铆压款包装规范		TEL: 0755-29888153		
工程图		WEB: http://www.szzdjmj.com/		
THIRD ANGLE PROJECTION	UNIT:	SCALE:	SIZE:	SHEET:
	mm	1:1	A4	1/1