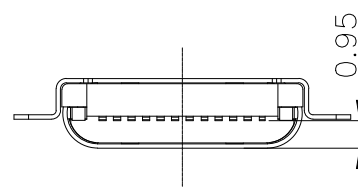
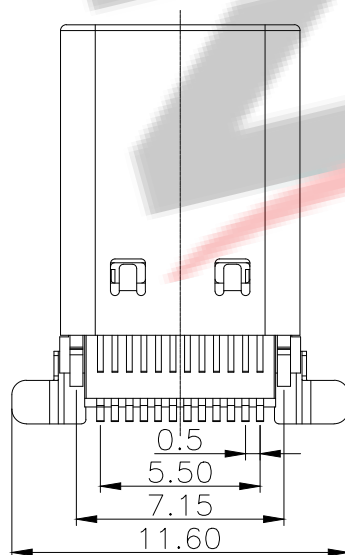
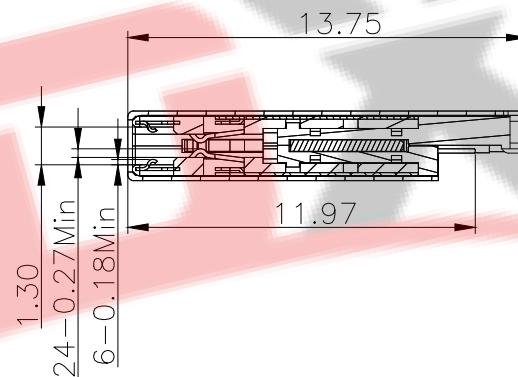
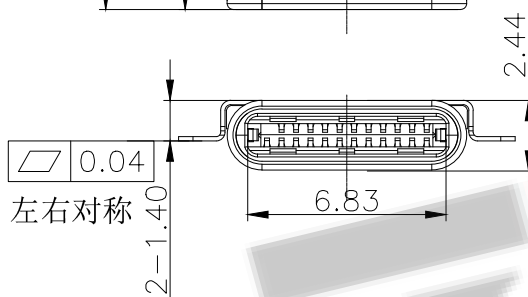
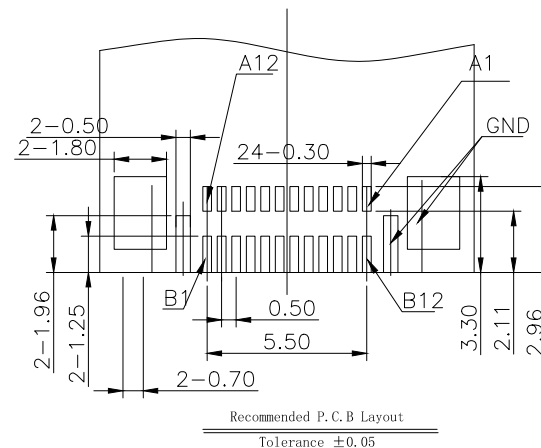
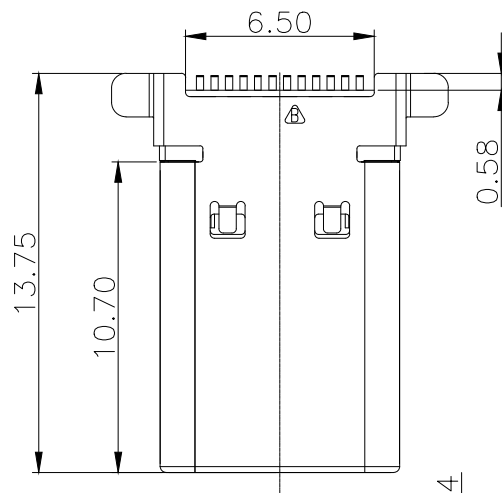


RoHS Compliant

Halogen Free

customer drawing



A12	A11	A10	A9	A8	A7	A6	A5	A4	A3	A2	A1
GND	RX2+	RX2-	V _{Bus}	SBU1	D-	D+	CC	V _{Bus}	TX1-	TX1+	GND
GND	TX2+	TX2-	V _{Bus}	V _{conn}	B6	B7	SBU2	V _{Bus}	RX1-	RX1+	GND
B1	B2	B3	B4	B5	B6	B7	B8	B9	B10	B11	B12

1. Material:

Contacts: Copper alloy T=0.15
Insulator: HIGH TEMPERATURE PLASTIC UL 94V-0,
Shell: STEEL T=0.15

2. Electrical:

Current-max[amps]: 5A Max For V_{bus}/GND PIN;
0.9A Max For Other PIN.
Withstanding Voltage: 100V AC R.M.S
Contact Resistance [ohms]: 40mΩ Max.For
Initial 10mΩ.Change Afier
Test.Measure AT 20mV, 100mA

Insulation Resistance [ohms]: 100 mΩ min.

3. MECHANICAL CHARACTERISTICS:

Mating force: 5~20N
Unmated Force: 6~20N After test.
Durability: 10000 cycles min.

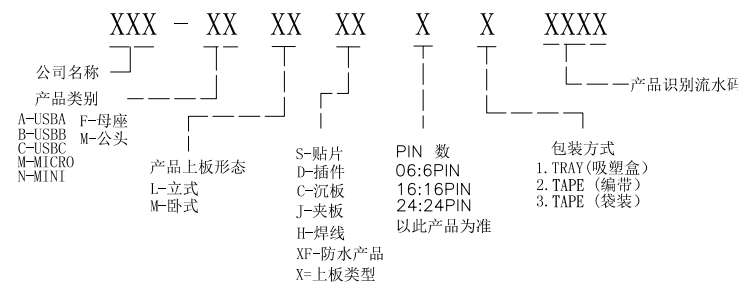
4. Plating:

Contacts: SEE TABLE Au plated on contact area,
Bright Tin plating 80~100u"Min on solder area
Nickel Under plating 20u"Min over all
Shell : plating 20~50u"Nickel over CU

5. Environmental

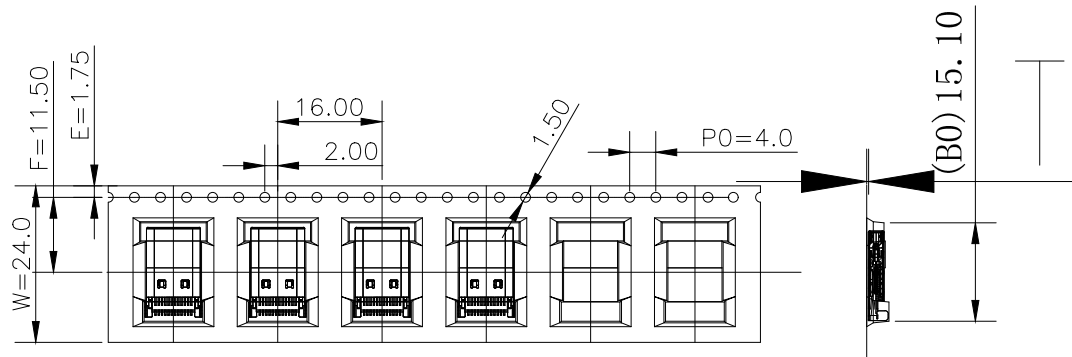
Temperature Range: -40° C~+85° C

料号编码:

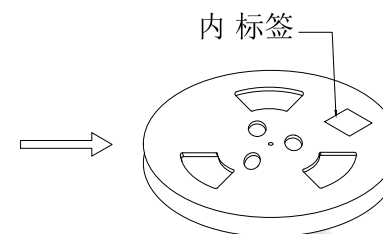


ZDX 深圳市兆达鑫科技有限公司
Shenzhen zhaodaxin Technology Co., Ltd

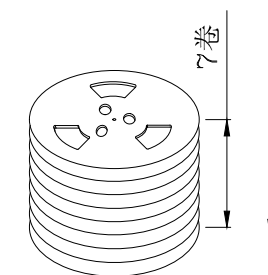
TITLE:		PART NO.: ZDX-CMMC242CY14		
TYPE-C 24PIN沉板双贴SMT公头 两脚贴板 长 L=13.75MM		TEL: 0755-29888153		
工程图		WEB: http://www.szzdjmkj.com/		
THIRD ANGLE PROJECTION	UNIT:	SCALE:	SIZE:	SHEET:
	mm	1:1	A4	1/1



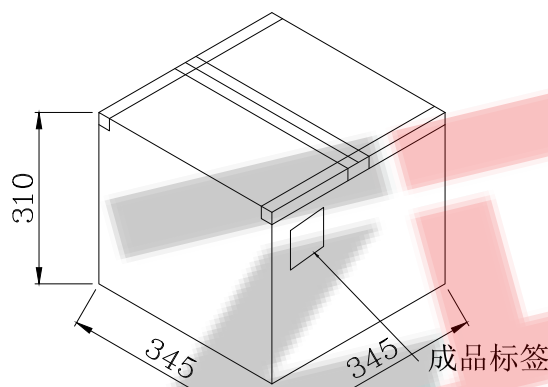
① 产品入载带示意图



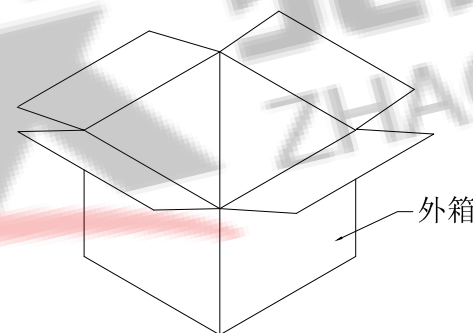
② 卷盘贴标签示意图



③ 7盘产品叠层示意图



⑤ 外箱封箱示意图



④ 产品入外箱示意图

	REEL	CARTON
CONNECTOR (PCS)	1000	7000

包装说明:

- 将检验好的成品;对插口朝前放入载带;每卷装1000PCS产品;具体如图一所示
- 将包装好的产品;每盘必需贴上内标签;具体如图二所示
- 将贴好内标签的产品每7盘叠;具体如图三所示
- 装好后并封好纸箱及贴好相关标签;具体如图五所示;
(产品包装的标签,如客户有要求,请按客户要求包装出货)
- 载带前面留22PCS空格,后面留22PCS空格
- COVER与CARRY剥离力:50-125g,速度:300mm/分钟左右,剥离角度:165°-180°

ZDX 深圳市兆达鑫科技有限公司
Shenzhen zhaodaxin Technology Co., Ltd

TITLE:

TYPE-C 24PIN 沉板公头 双排贴片 铆压款包装规范

工程图

THIRD ANGLE PROJECTION



PART NO.: ZDX-CMMC242CY14

TEL: 0755-29888153

WEB: <http://www.szzdjmj.com/>

UNIT:

mm

SCALE:

1:1

SIZE:

A4

SHEET:

1/1