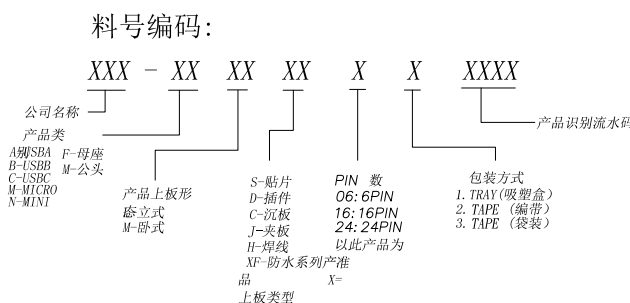


- NOTE:
- MATERIAL SPECIFICATION:
    - HOUSING: HIGH TEMPERATURE RESISTANT PLASTIC, UL94 V-0.
    - CONTACTS: COPPER ALLOY
    - MID PLATE: STAINLESS STEEL
  - PLATING SPECIFICATION:
    - CONTACTS:
      - Ni 50u" MIN. UNDER PLATED OVER ALL.
      - AU PLATED ON THE FUNCTIONAL AREA OF CONTACT.
      - (GOLD PLATING THICKNESS FOLLOW THE P/N)
      - GOLD FLASH PLATING ON SOLDER AREA
    - FRONT SHELL:
      - Ni 30u" MIN. UNDER PLATED OVER ALL.
  - MECHANICAL PERFORMANCE,
    - INSERTION FORCE: 0.5~2.0kgf.
    - REMOVAL FORCE: 0.8kgf~2.0kgf.
    - DURABILITY: 10000 CYCLES.
  - ELECTRICAL PERFORMANCE,
    - CURRENT RATING: 5A
    - VOLTAGE RATING: 20V
    - INSULATION RESISTANCE: 100MΩ MIN
    - DIELECTRIC WITHSTAND VOLTAGE, AC 100V FOR 1 MINUTE.
    - LOW CONTACT RESISTANCE: INITIAL 40MΩ AFTER 50MΩ
  - ENVIRONMENTAL PERFORMANCE:
    - OPERATING TEMPERATURE: -30°C~+80°C.
  - IR REFLOW:
    - THE PEAK TEMPERATURE ON THE BOARD SHALL BE MAINTAINED FOR 10 SECONDS AT 260°C.



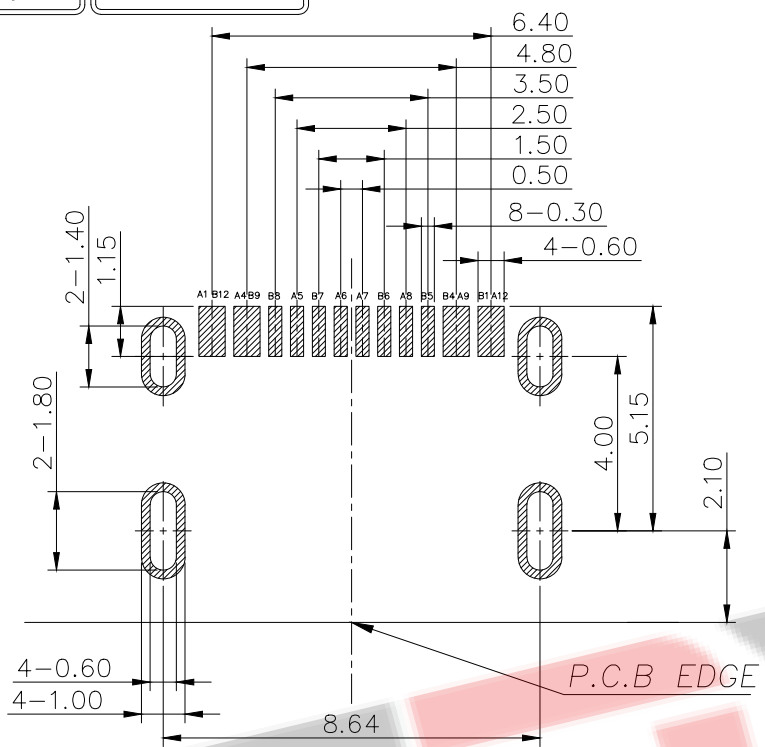
**ZDX** 深圳市兆达鑫科技有限公司  
Shenzhen zhaodaxin Technology Co., Ltd

|                        |       |  |       |        |
|------------------------|-------|--|-------|--------|
| TITLE:                 |       | PART NO.: ZDX-CFMS162YS01  |       |        |
| TYPE-C 16P母座板上L=6.2mm  |       | TEL: 0755-29888153   |       |        |
| 工程图                    |       | WEB: <a href="http://www.szzdjmj.com/">http://www.szzdjmj.com/</a> |       |        |
| THIRD ANGLE PROJECTION | UNIT: | SCALE:   | SIZE: | SHEET: |
|                        | mm    | 1:1  | A4    | 1/2    |

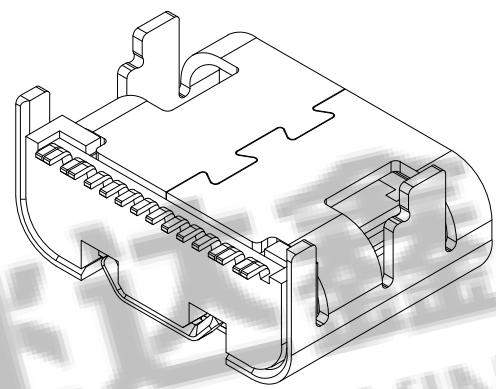
RoHS Compliant

Halogen Free

customer drawing



RECOMMEND P.C.B LAYOUT (COMPONENT SIDE)  
TOLERANCE FOR PCB LAYOUT IS  $\pm 0.05$

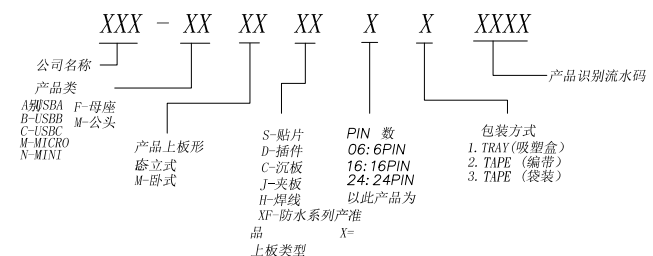


USB TYPE-C PIN ASSIGNMENTS

| PIN NUMBER | SIGNAL NAME |
|------------|-------------|
| A1         | GND         |
| A4         | VBUS        |
| A5         | CC1         |
| A6         | Dp1         |
| A7         | Dn1         |
| A8         | SBU1        |
| A9         | VBUS        |
| A12        | GND         |

| PIN NUMBER | SIGNAL NAME |
|------------|-------------|
| B12        | GND         |
| B9         | VBUS        |
| B8         | SBU2        |
| B7         | Dn2         |
| B6         | Dp2         |
| B5         | CC2         |
| B4         | VBUS        |
| B1         | GND         |

料号编码:



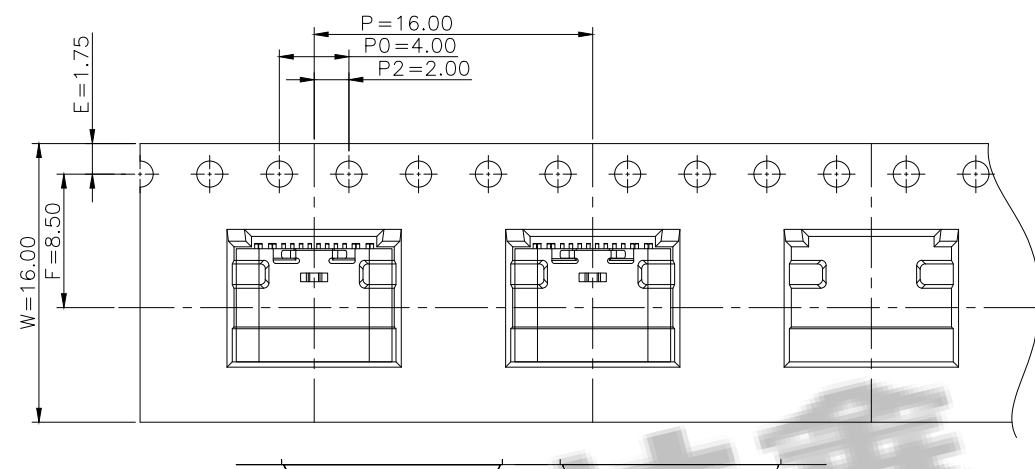
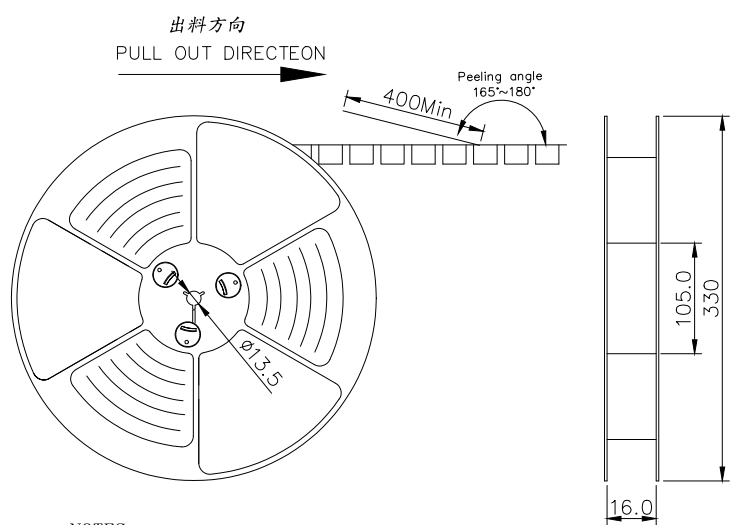
**ZDX** 深圳市兆达鑫科技有限公司  
Shenzhen zhaodaxin Technology Co., Ltd

|                                 |             |  |             |               |
|---------------------------------|-------------|--|-------------|---------------|
| TITLE:<br>TYPE-C 16P母座板上L=6.2mm |             | PART NO.: ZDX-CFMS162YS01  |             |               |
| 工程图                             |             | TEL: 0755-29888153   |             |               |
| THIRD ANGLE PROJECTION          |             | WEB: <a href="http://www.szzdjmj.com/">http://www.szzdjmj.com/</a> |             |               |
|                                 | UNIT:<br>mm | SCALE:<br>1:1  | SIZE:<br>A4 | SHEET:<br>1/2 |

RoHS Compliant

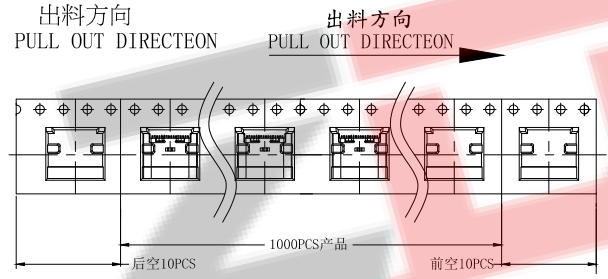
Halogen Free

customer drawing

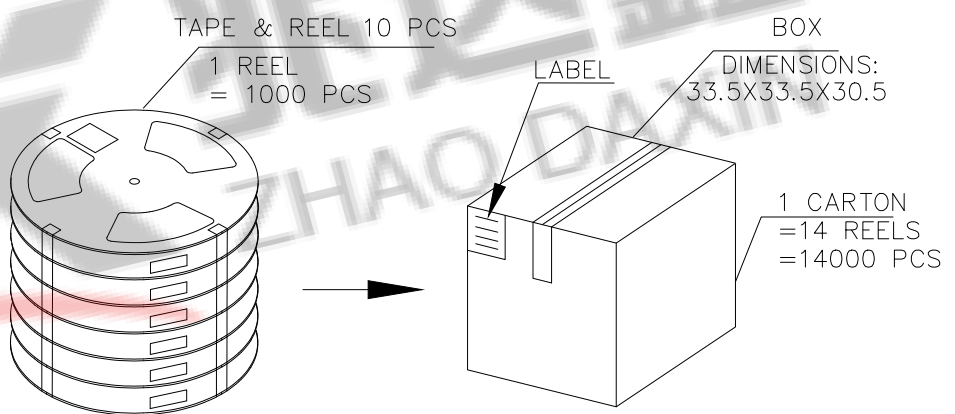


NOTES

1. 帶子引導長度  
LEAD TAPE LENGTH  
出料方向  
PULL OUT DIRECTEON



2. 上帶 剝力力為 : 0.1~1.3N(10.2gf~130gf)  
PEELING OFF FORCE OF TOP TAPE: 0.1~1.3N(10.2gf~130gf)  
出貨運輸過程中一定注意 :  
THIS REQUIREMENT SHOULD BE APPLIED AT SHIPMENT :  
卷帶在運輸過程中不能散開  
PEELING OFF SHOULD NOT BE ALLOWED DURING TRANSPORTATION



| 包裝明細表 (The detail of the packing) |                         |             |         |                |          |          |
|-----------------------------------|-------------------------|-------------|---------|----------------|----------|----------|
| 產品料號<br>(Product No.)             | 包裝容量 (Packing Capacity) |             |         | 重量 Weight (Kg) |          |          |
|                                   | pcs/box                 | boxs/Carton | Pcs/Box | N.W./Pcs       | N.W./Box | G.W./Box |
| UCR06-1161X-00XR                  | 1000                    | 14          | 14000   | ---            | ---      | ---      |

**ZDX** 深圳市兆达鑫科技有限公司  
Shenzhen zhaodaxin Technology Co., Ltd

|                        |       |  |       |        |
|------------------------|-------|--|-------|--------|
| TITLE:                 |       | PART NO.: ZDX-CFMS162YS01  |       |        |
| TYPE-C 16PIN母座L=6.2包裝圖 |       | TEL: 0755-29888153   |       |        |
| 工程圖                    |       | WEB: <a href="http://www.szzdjmkj.com/">http://www.szzdjmkj.com/</a> |       |        |
| THIRD ANGLE PROJECTION | UNIT: | SCALE:   | SIZE: | SHEET: |
|                        | mm    | 1:1  | A4    | 1/2    |