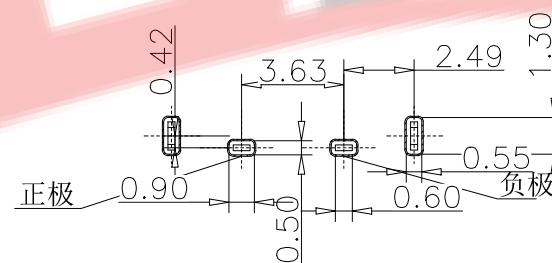
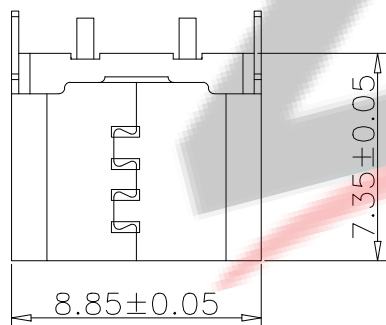
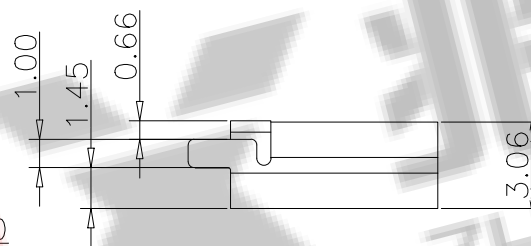
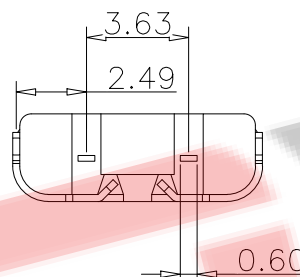
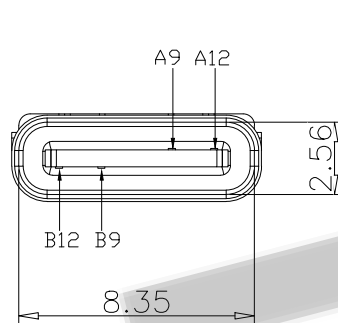
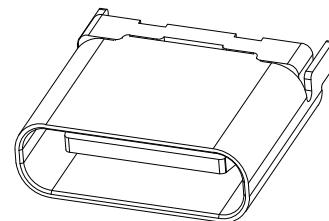
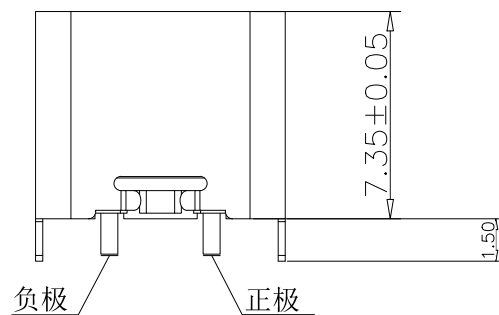


RoHS Compliant

Halogen Free

customer drawing



RECOMMEND P.C.B LAYOUT (COMPONENT SIDE)  
TOLERANCE FOR PCB LAYOUT IS ±0.05

备注 (NOTE):

1 材质:

- 1.1 胶芯: LCP UL94 V-0
- 1.2 端子: C2680, T=0.2mm; 镍底, 镀金
- 1.3 外壳: 不锈钢201-H 表面镀镍
- 2 电气特性:
  - 2.1 接触区: 接触电阻40mΩ Max, 允许10mΩ变化量. 测试条件: 20mv, 100mA下测量.
  - 2.2 接触电流: 3A VBUS引脚; 1.25A用于GND引脚; 其他引脚为0.25A.
  - 2.3 额定电压: 5V.
  - 2.4 耐电电压: 100VAC.
  - 2.5 绝缘电阻: 至少100兆欧.
- 3 机械性能:
  - 3.1 插入力: 0.5-2.0Kg
  - 3.2 拔出力: 0.6-2.04Kg
  - 3.3 插拔次数: 5000次.
- 4 工作环境: -20°C to +85°C.

料号编码:

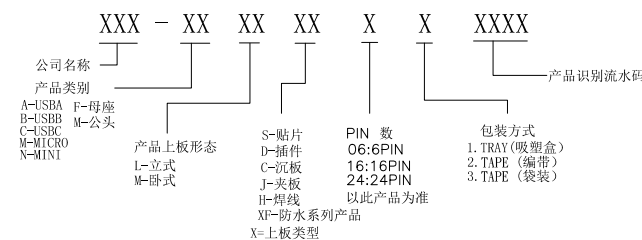


TABLE:

NO	PART	Q'TY	Material
1	SHELL	1	ZINC ALLOY, NI30u"Min PLATED
2	CONTACT	6	C2680, TIN80u"/Au1u"/NI30u" PLATED
3	1MD HOUSING	1	LCP UL94 V-0 BLACK

USB TYPE C PIN ASSIGNMENTS

PIN NUMBER	SIGNAL NAME	PIN NUMBER	SIGNAL NAME
		B12	GND
		B9	VBUS
A5	CC1		
		B5	CC2
A9	VBUS		
A12	GND		

**ZDX** 深圳市兆达鑫科技有限公司  
Shenzhen zhaodaxin Technology Co., Ltd

TITLE: TYPE-C2P直插7.35 1.5脚  
PART NO.: ZDX-CFLD022ZH09  
TEL: 0755-29888153  
WEB: <http://www.szzdjmkj.com/>

工程图  
THIRD ANGLE PROJECTION  
UNIT: mm  
SCALE: 1:1  
SIZE: A4  
SHEET: 1/2