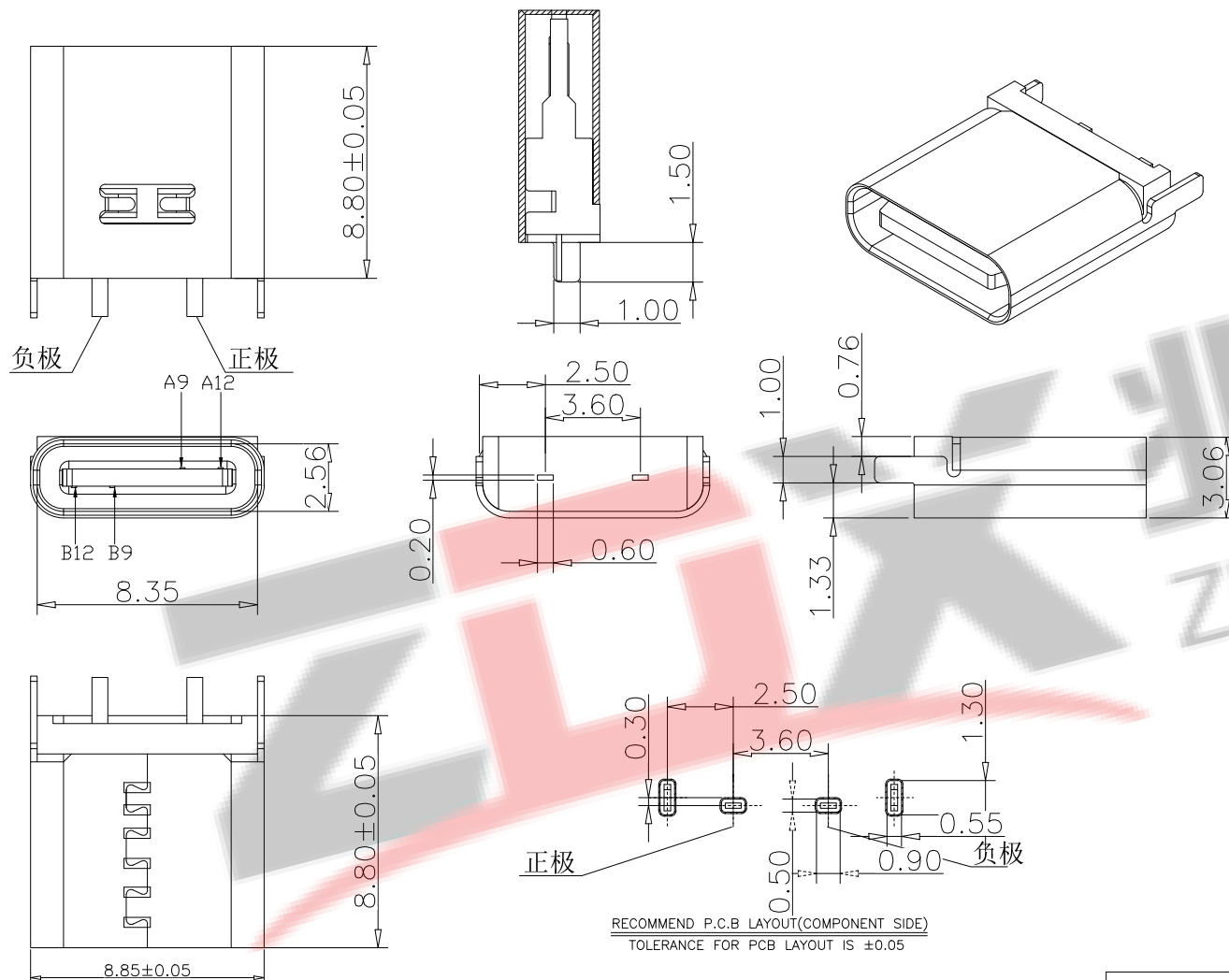


RoHS Compliant

Halogen Free

customer drawing



备注 (NOTE):

1 材质:

- 1. 1胶芯: LCP UL94 V-0
- 1. 2端子: C2680, T=0.2mm; 镍底, 镀金
- 1. 3外壳: 不锈钢201-H 表面镀镍

2. 电气特性:

- 2. 1. 接触区: 接触电阻40mΩ Max, 允许10mΩ变化量. 测试条件: 20mv, 100mA下测量.
- 2. 2. 接触电流: 3A VBUS引脚; 1.25A用于GND引脚; 其他引脚为0.25A.

2. 3. 额定电压: 5V.

2. 4. 耐电电压: 100VAC.

2. 5. 绝缘电阻: 至少100兆欧.

3. 机械性能:

- 3. 1. 插入力: 0.5-2.0Kg
- 3. 2. 拔出力: 0.6-2.04Kg
- 3. 3. 插拔次数: 5000次.

4. 工作环境: -20°C to +85°C.

料号编码:

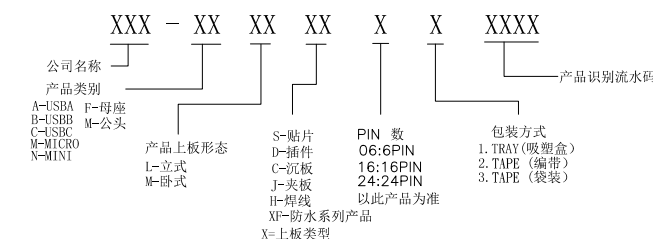


TABLE:

NO	PART	Q'TY	Material
1	SHELL	1	ZINC ALLOY, NI30u"Min PLATED
2	CONTACT	6	C2680, TIN80u"/Au1u"/NI30u" PLATED
3	1MD HOUSING	1	LCP UL94 V-0 BLACK
4	CAP	1	LCP UL94 V-0 BLACK
5	WATERPROOF RING	1	SILICONE UL94 V-0 BLACK

USB TYPE C PIN ASSIGNMENTS

PIN NUMBER	SIGNAL NAME	PIN NUMBER	SIGNAL NAME
		B12	GND
		B9	VBUS
A5	CC1	B5	CC2
A9	VBUS		
A12	GND		

深圳市兆达鑫科技有限公司

Shenzhen zhaodaxin Technology Co., Ltd

TITLE: TYPE-C2P直插8.8 1.5脚 工程图		PART NO.: ZDX-CFLD022ZH11		
THIRD ANGLE PROJECTION		WEB: http://www.szzdjmkj.com/		
	UNIT: mm	SCALE: 1:1	SIZE: A4	SHEET: 1/2