

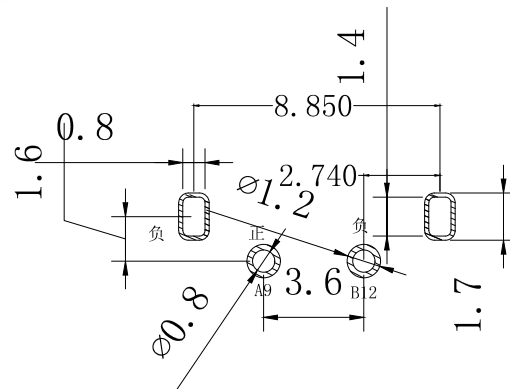
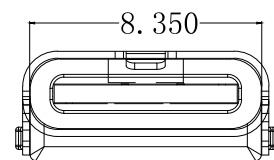
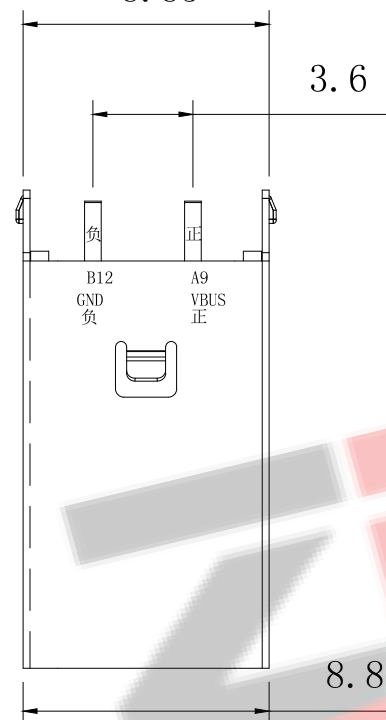
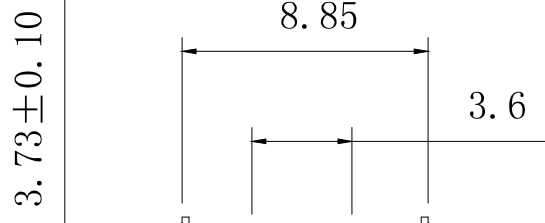
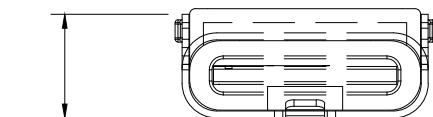
RoHS Compliant

Halogen Free

customer drawing

L=MM

A	B	C	D	E	F	G	H	L
13.0	13.7	14.2	15.0	17.5				



RECOMMENDED P.C.B. LAYOUT
TOLERANCE UNSPECIFIED ±0.05mm

A12	GND	B12	GND
A9	VBUS	B9	VBUS
A5	CC1	B5	CC2
PIN	SIGNAL NAME	PIN	SIGNAL NAME

规格说明: Specifications:

电气特性: Electrical:

- 额定电流: Current Rating
3.0A/contact terminal
- 额定电压: Voltage Rating
30V DC
- 接触电阻: Contact Resistance
30 milliohms MAX
- 耐电压: Dielectric Withstanding Voltage:
500 V AC AT Sea Level
- 绝缘电阻: Insulation Resistance:
1000MEGA ohms MIN

物理性能: Mechanical:

- 插拔力: Connector Mate and Unmate Force
Mate force: 3.57kgf(MAX)
Unmate force: 1.02kgf(MIN)

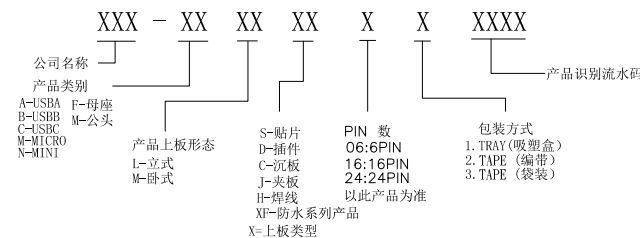
原材料: Material:

- 塑胶: Housing: LCP+30%GF
- 端子: Contact: Copper Alloy 高导电: C2680-EH
- 外壳: Shell: Copper Alloy C201不锈钢

电镀: Finish:

- 端子: Contact: Plated Gold in Mating Area;
Tin On Solder Tails
端子四周镀50-800U"(MIN)镀底, 80-120U"锡, 刷金1U"
- 外壳: Shell:
不锈钢壳四周镀80U"(MIN)镀底,
Nickel Plating

料号编码:



深圳市兆达鑫科技有限公司

Shenzhen zhaodaxin Technology Co., Ltd

TITLE: TYPE-C2P直插L=MM

PART NO.: ZDX-CFLD022ZH30

工程图

TEL: 0755-29888153

THIRD ANGLE PROJECTION

WEB: <http://www.szzdjmj.com/>

UNIT: mm

SCALE: 1:1

SIZE: A4

SHEET: 1/2