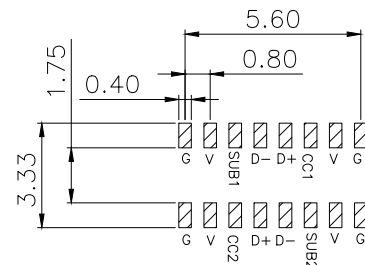
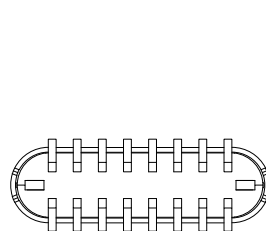
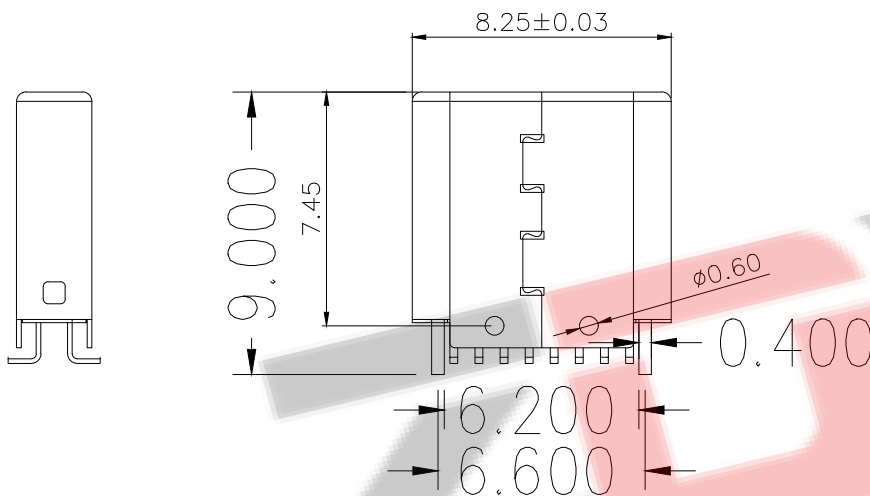
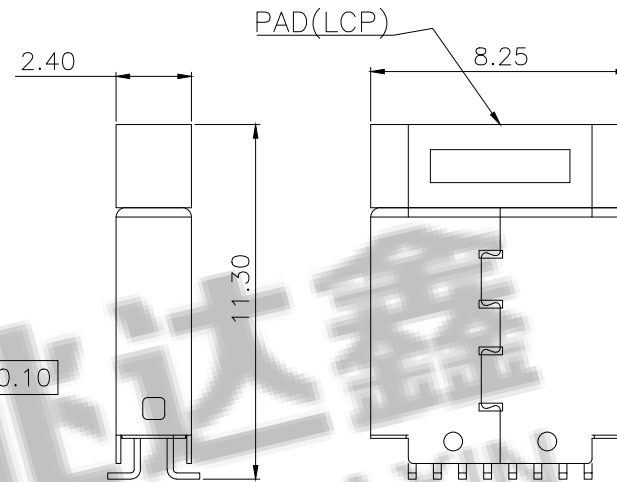
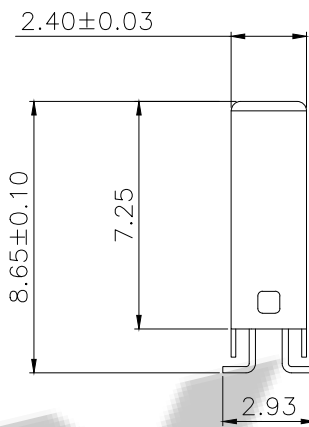
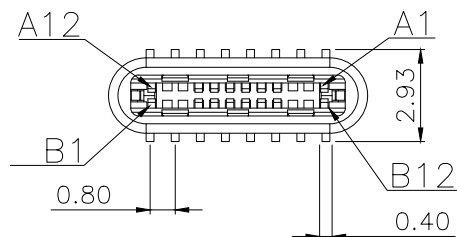


RoHS Compliant

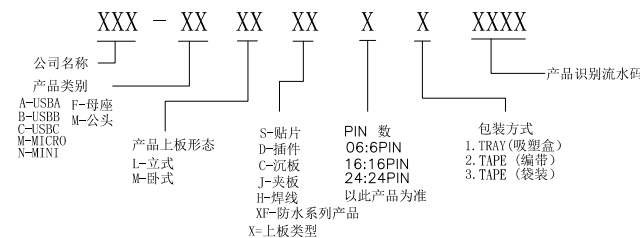
Halogen Free

customer drawing



RECOMMENDED P.C.B. LAYOUT
TOLERANCE UNSPECIFIED ±0.05mm

料号编码:



ZDX 深圳市兆达鑫科技有限公司
Shenzhen zhaodaxin Technology Co., Ltd

TITLE: TYPE-C 16P 立式贴片公头 7.2MM PART NO.: ZDX-CMLS1620022
TEL: 0755-29888153
WEB: <http://www.szzdjmkj.com/>

工程图
THIRD ANGLE PROJECTION UNIT: mm SCALE: 1:1 SIZE: A4 SHEET: 1/2