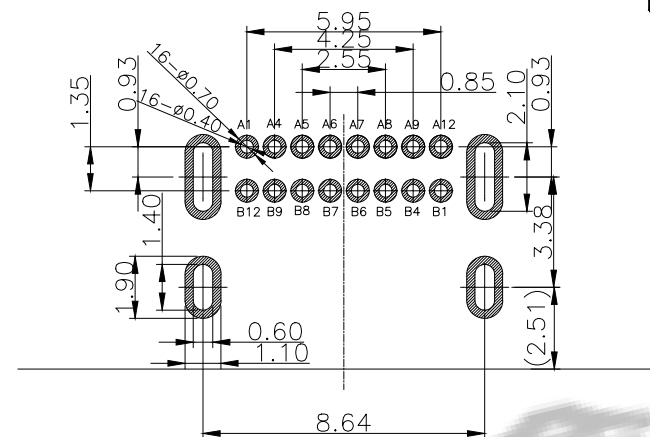
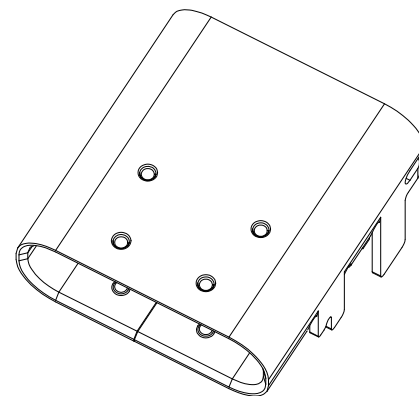
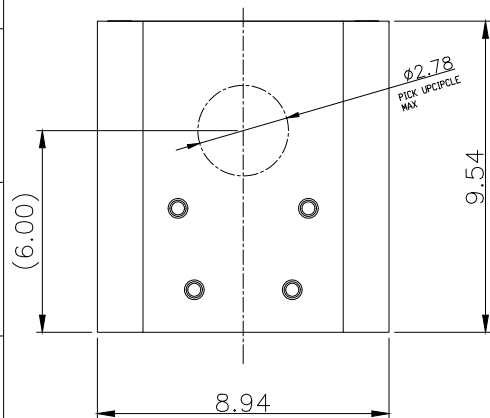


RoHS Compliant

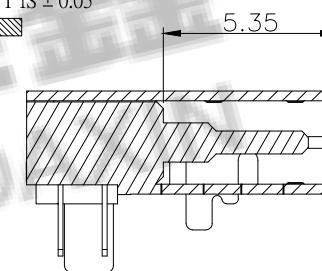
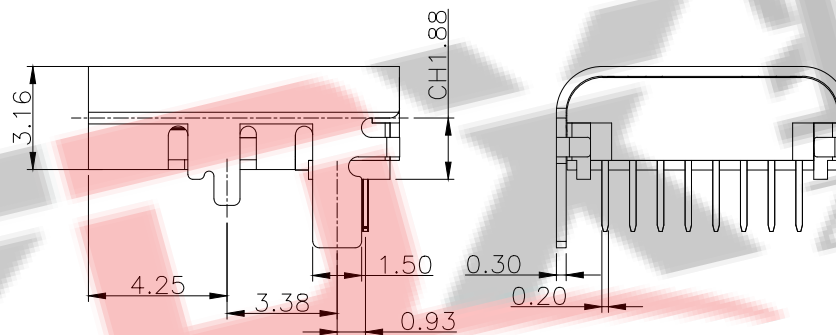
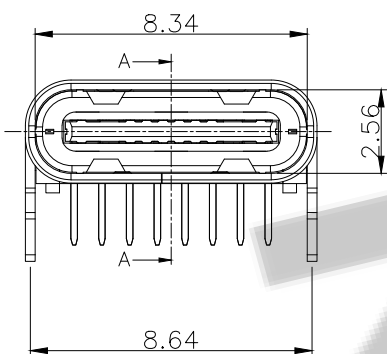
Halogen Free

customer drawing

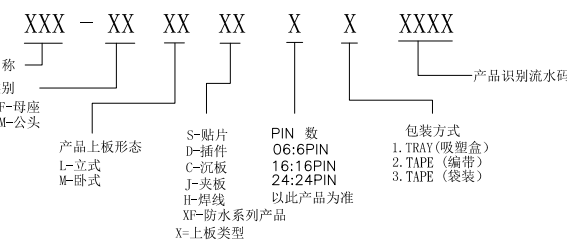


RECOMMEND P.C.B LAYOUT (COMPONENT SIDE)

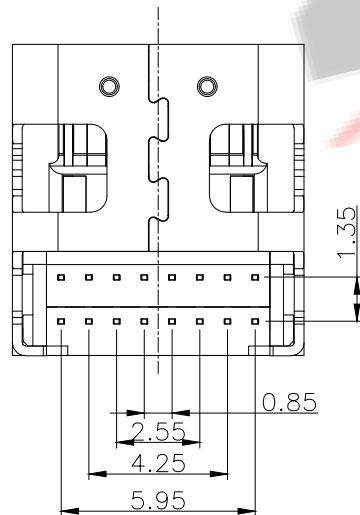
TOLERANCE FOR PCB LAYOUT IS  $\pm 0.05$   
KEEP OUT AREA



料号编码: SECTION A-A



- NOTES:
- MATERIAL:**  
MOLDING: LCP UL94 V-0  
CONTACT: COPPER ALLOY.  
GOLD PLATED Min ON CONTACT AREA, 100u"  
Min TIN (LEAD FREE) ON SOLDER AREA,  
SHELL: SUS304-H, T=0.30±0.03mm  
50u" NICKEL PLATING OVER ALL.  
MIDDLE SHILD: SUS304-H, T=0.20±0.03mm
  - MECHANICAL:**  
INSERTION: 5~20N.  
EXTRACTION: 8~20N AFTER TEST.  
DURABILITY: 10000 CYCLES
  - ELECTRICAL:**  
CURRENT: 5A FOR VBUS;  
1.25A FOR GND PIN.  
0.25A FOR OTHER.  
VOLTAGE: 20 V MAX  
WITHSTANDING VOLTAGE: 100V AC R.M.S.  
CONTACT RESISTANCE: 40mΩ MAX.  
INSULATION RESISTANCE: 100MΩ MIN.
  - ENVIRONMENTAL**  
TEMPERATURE RANGE -35°C ~ +85°C



**ZDX** 深圳市兆达鑫科技有限公司  
Shenzhen zhaodaxin Technology Co., Ltd

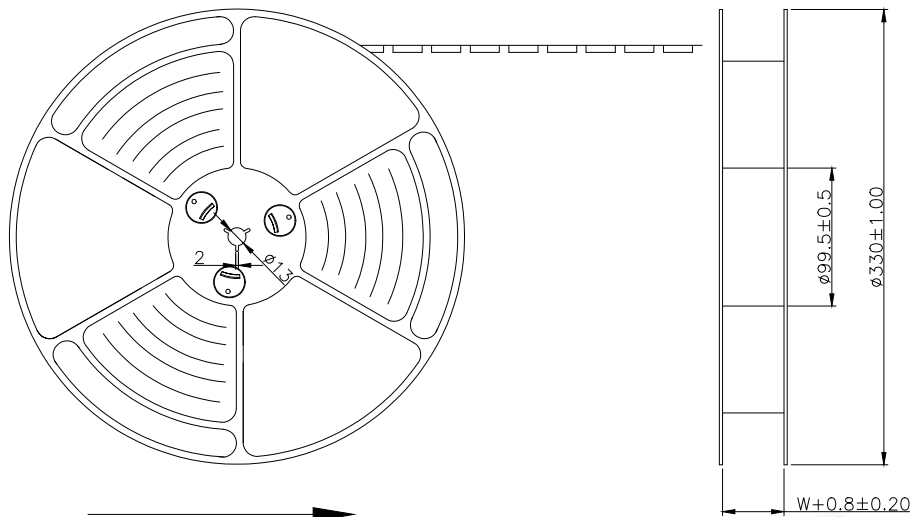
TITLE: TYPE-C 16Pin四脚插板 端子DIP 脚长1.6 工程图		PART NO.: ZDX-CFMD1620021		
		TEL: 0755-29888153		
		WEB: <a href="http://www.szzdjmkj.com/">http://www.szzdjmkj.com/</a>		
THIRD ANGLE PROJECTION	UNIT: mm	SCALE: 1:1	SIZE: A4	SHEET: 1/3

RoHS Compliant

Halogen Free

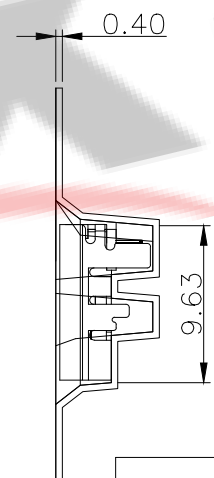
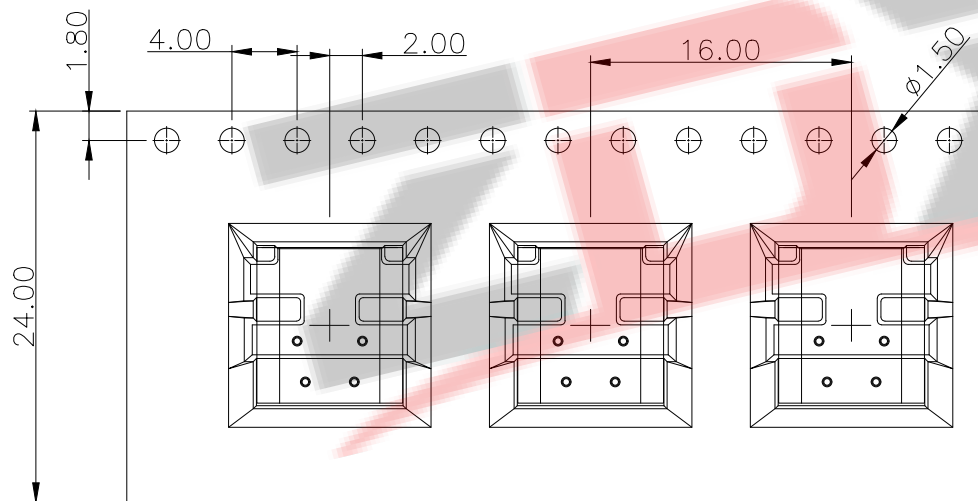
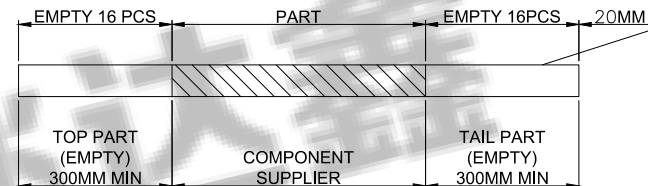
customer drawing

出料方向  
PULL OUT DIRECTEON

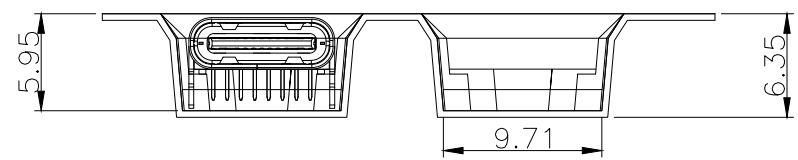
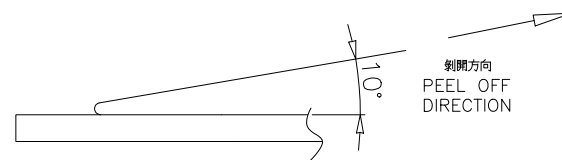


NOTES

- 1.帶子引導長度  
LEAD TAPE LENGTH  
出料方向  
PULL OUT DIRECTEON



- 2.上帶 剝力力為 : 0.1~1.3N(10.2gf~130gf)  
PEELING OFF FORCE OF TOP TAPE:0.1~1.3N(10.2gf~130gf)  
出貨運輸過程中一定注意:  
THIS REQUIREMENT SHOULD BE APPLIED AT SHIPMENT:  
卷帶在運輸過程中不能散開  
PEELING OFF SHOULD NOT BE ALLOWED DURING TRANSPORTATION

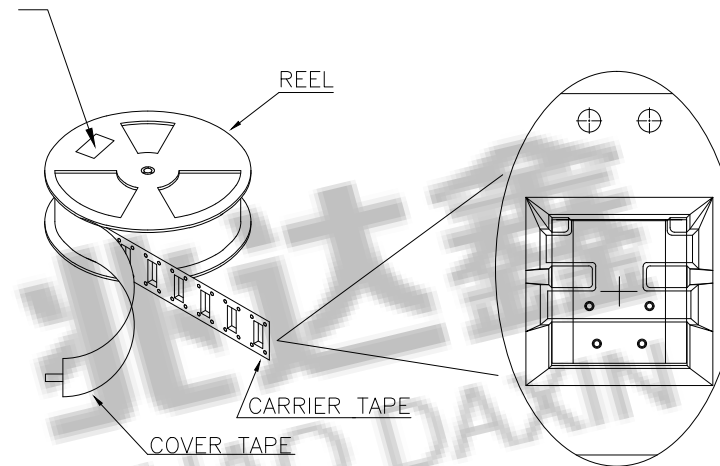
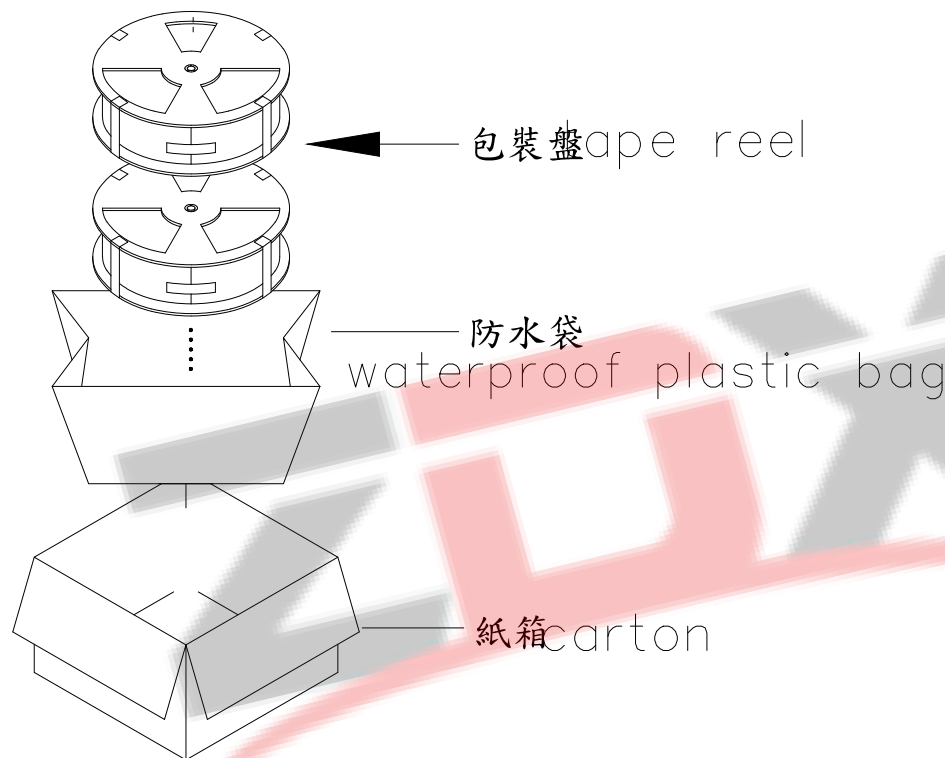


載帶卷料方向

**ZDX** 深圳市兆达鑫科技有限公司  
Shenzhen zhaodaxin Technology Co., Ltd

TITLE: TYPE-C 16Pin四脚插板 端子DIP 脚长1.6 工程图		PART NO.:ZDX-CFMD1620021		
		TEL:0755-29888153		
		WEB: <a href="http://www.szzdjmkj.com/">http://www.szzdjmkj.com/</a>		
THIRD ANGLE PROJECTION	UNIT: mm	SCALE: 1:1	SIZE: A4	SHEET: 2/3

at small positioning hole of the carrier tape side).  
 標籤黏貼處 (朝捲裝包材的小定位孔一側)  
 Location of label sticking (label)



NOTE:

1. 每捲包裝數量及每箱裝箱數量如左下表格.
2. 以上膠帶覆蓋下包裝帶經包裝機冷封包裝
3. 每個紙箱放2個珍珠棉
4. 將裝滿產品的卷盤放入紙箱并以膠帶封口

**ZDX** 深圳市兆达鑫科技有限公司  
 Shenzhen zhaodaxin Technology Co., Ltd

TITLE: **包装图**  
 工程图

PART NO.: ZDX-CFMD1620021  
 TEL: 0755-29888153  
 WEB: <http://www.szzdjmkj.com/>

THIRD ANGLE PROJECTION

UNIT: mm

SCALE: 1:1

SIZE: A4

SHEET: 3/3

產品料號 (PRODUCT No.)	包裝容量 (PACKING CAPACITY)			重量 WEIGHT (Kg)		
	PCS/REEL	REELS/CARTON	PCS/CARTON	N.W./PCS	N.W./BOX	G.W./BOX
	700	10	7000			