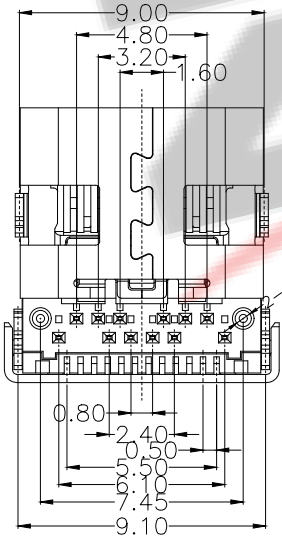
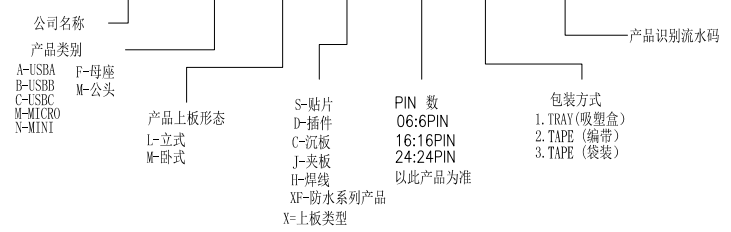


RECOMMEND P.C.B LAYOUT (COMPONENT SIDE)
TOLERANCE FOR PCB LAYOUT IS ± 0.05



料号编码:

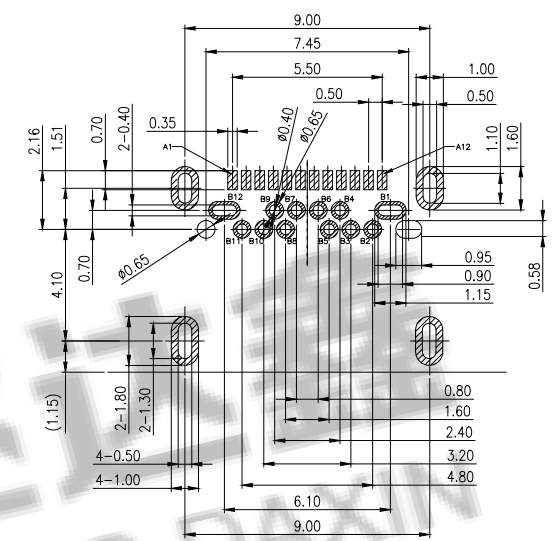
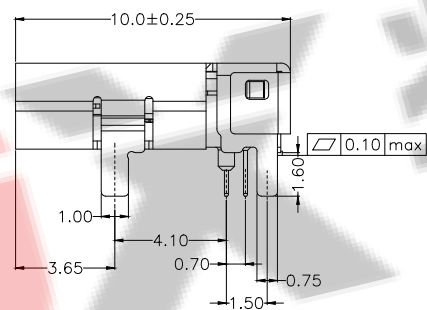
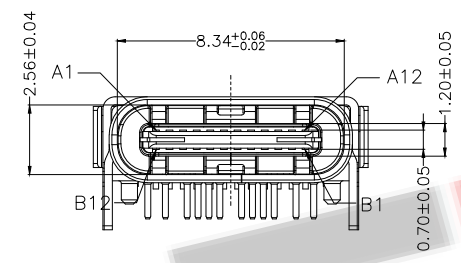
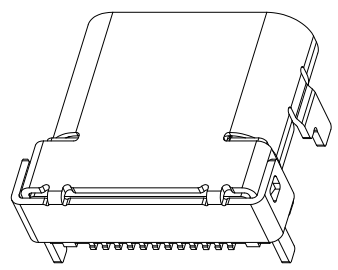
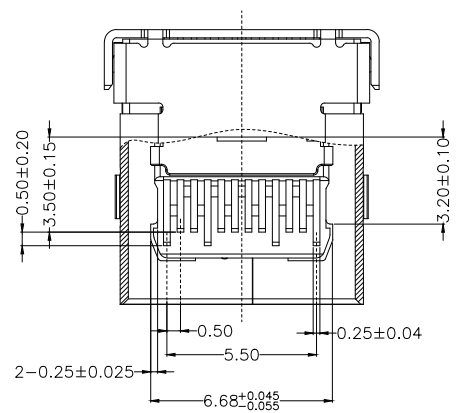
XXX - XX XX XX X X XXXX



6	EMA	SUS		
5	MID-PLATE	SUS		
4	CONTACT DIP	COPPER ALLOY		GOLD/TIN PLATED
3	CONTACT SMT	COPPER ALLOY		GOLD/TIN PLATED
2	SHELL	SUS		NI PLATED
1	HOUSING	LCP	BLACK	UL 94V-0
NO:	DESCRIPTION	MATERIAL	COLOR	REMARK

ZDX 深圳市兆达鑫科技有限公司
Shenzhen zhaodaxin Technology Co., Ltd

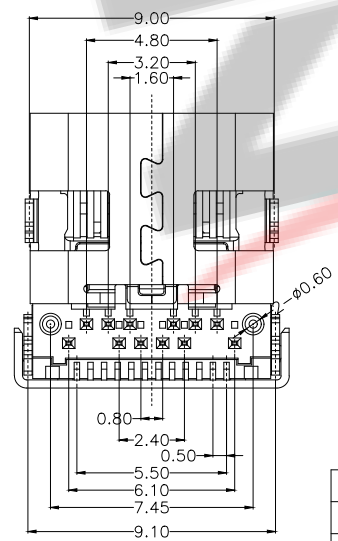
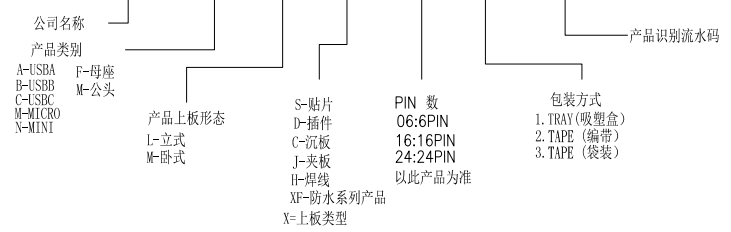
TITLE:		PART NO.: ZDX-CFMDS242ZDXX3		
type-板上单壳PIN长1.2(总长10.0)		TEL: 0755-29888153		
工程图		WEB: http://www.szzdjmkj.com/		
THIRD ANGLE PROJECTION	UNIT:	SCALE:	SIZE:	SHEET:
	mm	1:1	A4	1/2



RECOMMEND P.C.B LAYOUT (COMPONENT SIDE)
TOLERANCE FOR PCB LAYOUT IS ± 0.05

料号编码:

XXX - XX XX XX X X XXXX



6	EMA	SUS		
5	MID-PLATE	SUS		
4	CONTACT DIP	COPPER ALLOY		GOLD/TIN PLATED
3	CONTACT SMT	COPPER ALLOY		GOLD/TIN PLATED
2	SHELL	SUS		NI PLATED
1	HOUSING	LCP	BLACK	UL 94V-0
NO:	DESCRIPTION	MATERIAL	COLOR	REMARK

ZDX 深圳市兆达鑫科技有限公司
Shenzhen zhaodaxin Technology Co., Ltd

TITLE:		PART NO.: ZDX-CFMDS242ZDXX4		
type-板上单壳PIN长1.6(总长10.0)		TEL: 0755-29888153		
工程图		WEB: http://www.szzdjmkj.com/		
THIRD ANGLE PROJECTION	UNIT:	SCALE:	SIZE:	SHEET:
	mm	1:1	A4	1/2