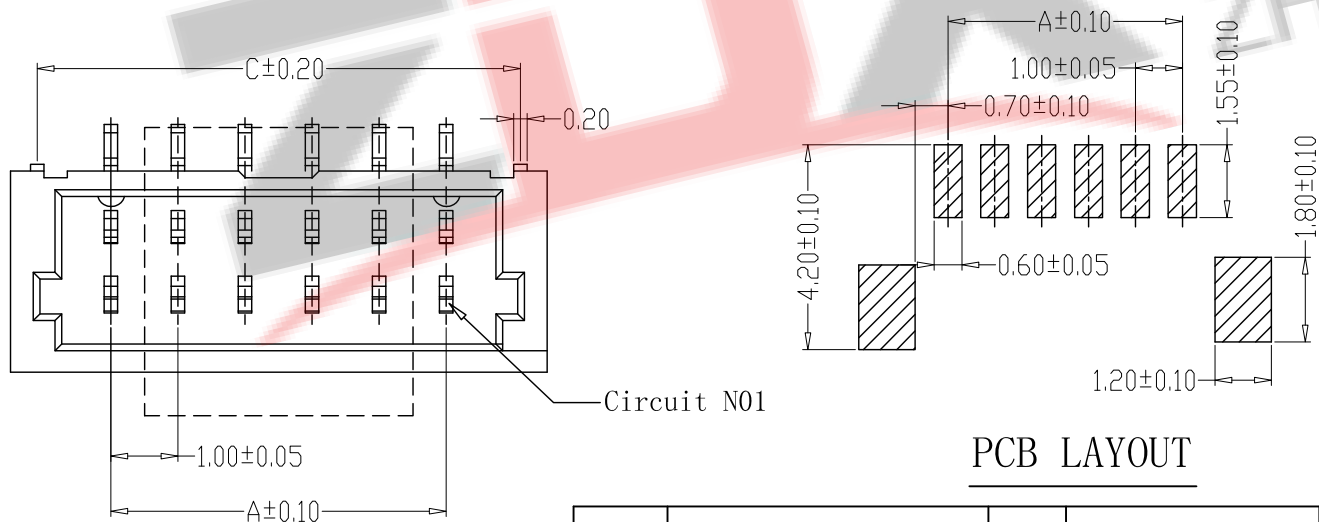
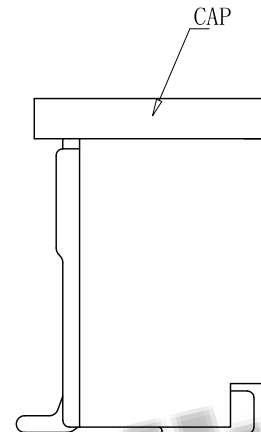
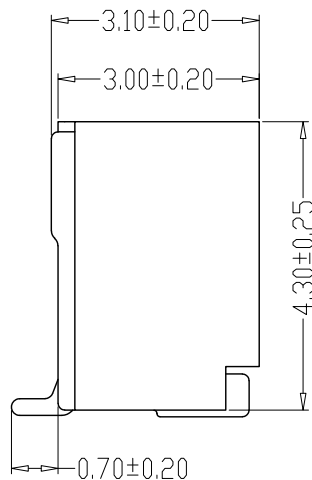
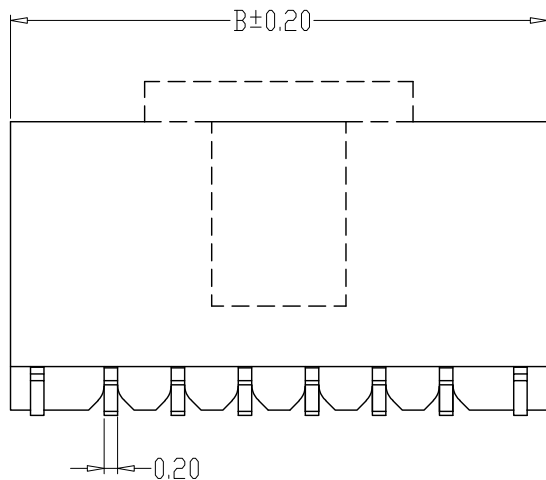


RoHS Compliant

CUSTOMER DRAWING

SPECIFICATIONS

- 1、Current Rating: 1A AC, DC
- 2、Voltage Rating: 50V AC, DC
- 3、Temperatuer Range: -25°C~+85°C
- 4、Contact Resistance: 20mΩ Max
- 5、Insulation Resistance: 100MΩ Min
- 6、Withstanding Voltang: 500V AC/minute
- 7、Material: Wafer LCP, UL94V-0
PIN Phosphoric bronze Tin-plated
Solder tad Phosphoric bronze Tin-plated



PCB LAYOUT

PIN=NAB	尺寸 (mm)		
	A	B	C
02AB	1.00	4.00	3.20
03AB	2.00	5.00	4.20
04AB	3.00	6.00	5.20
05AB	4.00	7.00	6.20
06AB	5.00	8.00	7.20
07AB	6.00	9.00	8.20
08AB	7.00	10.00	9.20
09AB	8.00	11.00	10.20
10AB	9.00	12.00	11.20
11AB	10.00	13.00	12.20
12AB	11.00	14.00	13.20
13AB	12.00	15.00	14.20
14AB	13.00	16.00	15.20
15AB	14.00	17.00	16.20
16AB	15.00	18.00	17.20
17AB	16.00	19.00	18.20
18AB	17.00	20.00	19.20
19AB	18.00	21.00	20.20
20AB	19.00	22.00	21.20

DRAWN	DESCRIPTION	DATE	GENEAL TOLERANCE		制图 Mapping	江涛		料号 PART NO.	ZDX-L-1001-NAB		REV.	A
			X±0.25	X*±2'		审核 Audit	李毅		品名 TITLE	1.0普通单排立贴		
			.X±0.20	.X*±1'	核准 Approved	刘志强		客户料号 CUTM. NO.				
			.XX±0.15	.XX*±0.5'								
			.XXX±0.10	.XXX*±0.5'								
						MM	SCALE	1:1				

ZDX 深圳市兆达鑫科技有限公司
Shenzhen zhaodaxin Technology Co., Ltd