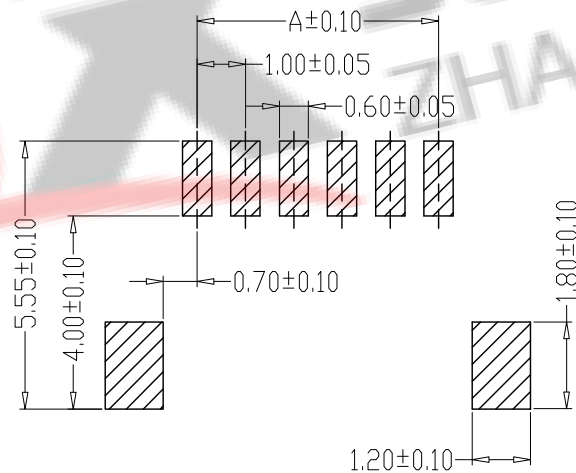
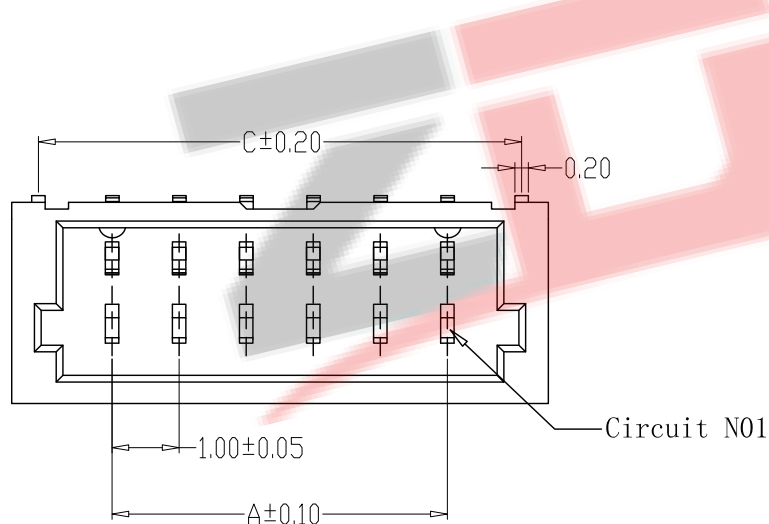
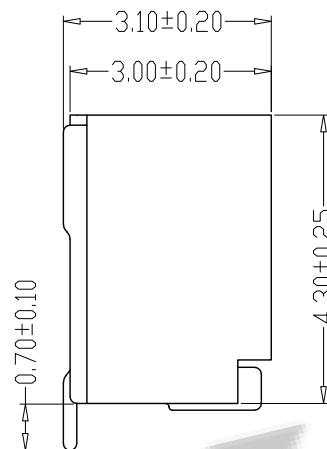
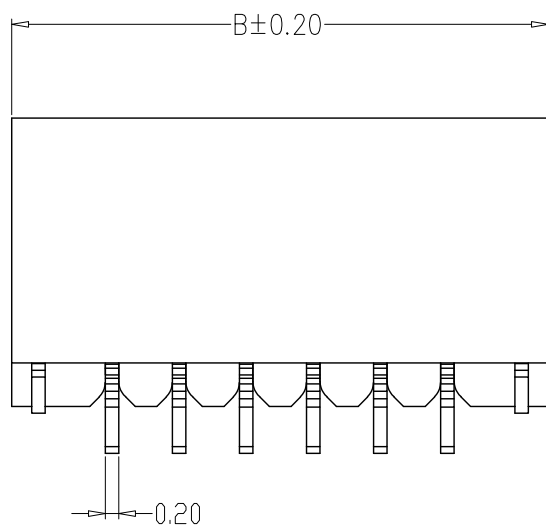


RoHS Compliant

CUSTOMER DRAWING

SPECIFICATIONS

- 1、Current Rating: 1A AC, DC
- 2、Voltage Rating: 50V AC, DC
- 3、Temperatuer Range: -25°C~+85°C
- 4、Contact Resistance: 20mΩ Max
- 5、Insulation Resistance: 100MΩ Min
- 6、Withstanding Voltang: 500V AC/minute
- 7、Material: Wafer LCP, UL94V-0
PIN Phosphoric bronze Tin-plated
Solder tad Phosphoric bronze Tin-plated



PCB LAYOUT

PIN=NAWB	尺寸 (mm)		
	A	B	C
02AWB	1.00	4.00	3.20
03AWB	2.00	5.00	4.20
04AWB	3.00	6.00	5.20
05AWB	4.00	7.00	6.20
06AWB	5.00	8.00	7.20
07AWB	6.00	9.00	8.20
08AWB	7.00	10.00	9.20
09AWB	8.00	11.00	10.20
10AWB	9.00	12.00	11.20
11AWB	10.00	13.00	12.20
12AWB	11.00	14.00	13.20
13AWB	12.00	15.00	14.20
14AWB	13.00	16.00	15.20
15AWB	14.00	17.00	16.20
16AWB	15.00	18.00	17.20
17AWB	16.00	19.00	18.20
18AWB	17.00	20.00	19.20
19AWB	18.00	21.00	20.20
20AWB	19.00	22.00	21.20

制图 DRAWN	变更内容 DESCRIPTION	日期 DATE	GENERAL TOLERANCE		制图 Mapping	江涛	料号 PART NO.	ZDX-W-1001-NAWB	版本 REV.	A
			X.±0.25	X.*±2'	审核 Audit	李毅	品名 TITLE	1.0普通单排卧贴 WAFER SMT TYPE	页次 SHEET	1/1
			.X±0.20	.X*±1'	核准 Approved	刘志强	客户料号 CUTM. NO.			
			.XX±0.15	.XX*±0.5'	单位 Units	MM	比例 SCALE	1:1	ZDX 深圳市兆达鑫科技有限公司 Shenzhen zhaodaxin Technology Co., Ltd	
			.XXX±0.10	.XXX*±0.5'						