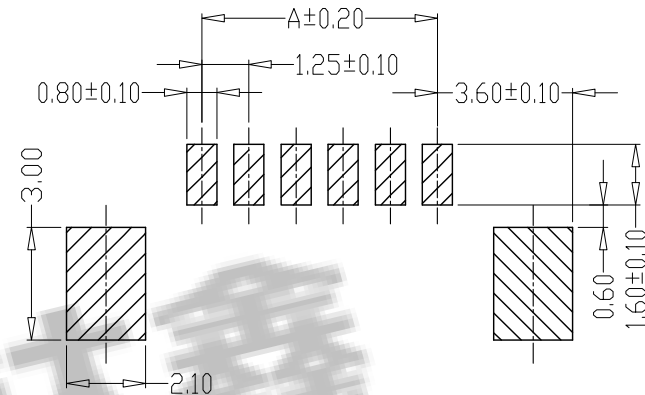
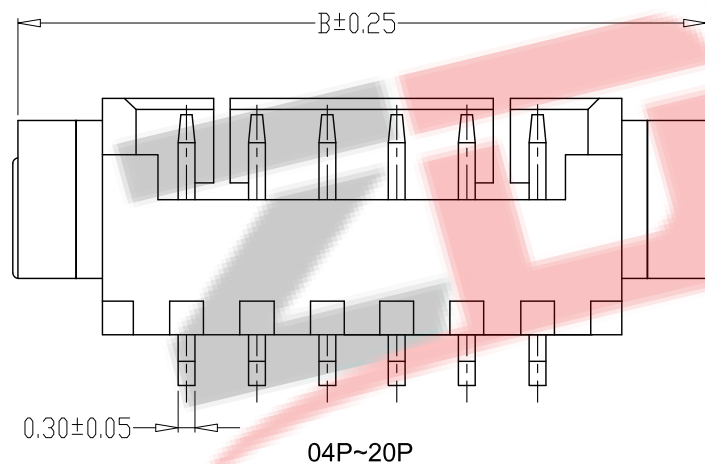


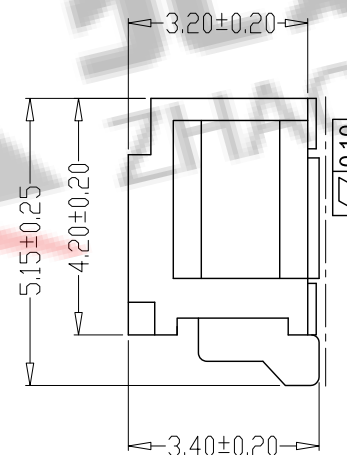
02P~03P



PCB LAYOUT



04P~20P



SPECIFICATIONS

- 1、Current Rating: 1A AC, DC
- 2、Voltage Rating: 125V AC, DC
- 3、Temperatuer Range: -25°C~+85°C
- 4、Contact Resistance: 20mΩ Max
- 5、Insulation Resistance: 100MΩ Min
- 6、Withstanding Voltang: 500V AC/minute
- 7、Material: Wafer PA46, UL94V-0  
PIN Brass Tin-plated  
Solder tabs Brass Tin-plated

PIN=NAWB	尺寸 (mm)		
	A	B	C
-02AWB	1.25	7.35	3.15
-03AWB	2.50	8.60	4.40
-04AWB	3.75	9.85	5.65
-05AWB	5.00	11.10	6.90
-06AWB	6.25	12.35	8.15
-07AWB	7.50	13.60	9.40
-08AWB	8.75	14.85	10.65
-09AWB	10.00	16.10	11.90
-10AWB	11.25	17.35	13.15
-11AWB	12.50	18.60	14.40
-12AWB	13.75	19.85	15.65
-13AWB	15.00	21.10	16.90
-14AWB	16.25	22.35	18.15
-15AWB	17.50	23.60	19.40
-16AWB	18.75	24.85	20.65
-17AWB	20.00	26.10	21.90
-18AWB	21.25	27.35	23.15
-19AWB	22.50	28.60	24.40
-20AWB	23.75	29.85	25.65

GENERAL TOLERANCE		制图 DRAWING	江涛	料号 PART NO.	ZDX-WT-A12502-NAWB	版本 REV.	A
X.X±0.25	X.±2'	审核 CHECK	李毅	品名 TITLE	1.25贴片 WAFER SMT TYPE	页次 SHEET	1/1
X.XXX±0.10		核准 APPROVAL	刘志强	客户料号 CUTM. NO.			
X.XX±0.20		单位 UNITS	MM	比例 SCALE	1:1		
深圳市兆达鑫科技有限公司 Shenzhen zhaodaxin Technology Co., Ltd							