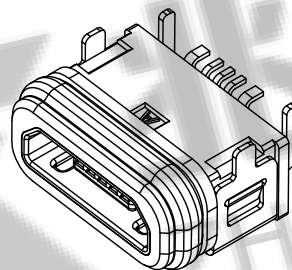
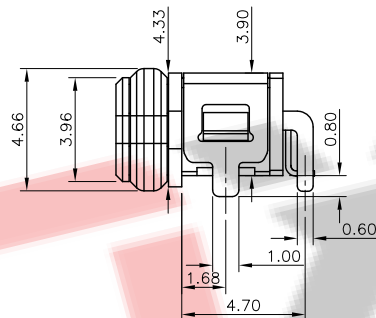
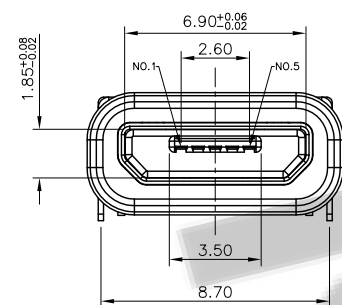


组装示意图

因防水圈走上公差，
建议开槽尺寸
单边放大0.23mm



SPECIFICATIONS:

1. ELECTRICAL CHARACTERISTICS:

- 1.1. RATING: 3A;
- 1.2. CONTACT RESISTANCE: 30 mΩ MAX.(INITIAL);
- 1.3. DIELECTRIC WITHSTANDING: 100V AC MIN.;
- 1.4. INSULATION RESISTANCE: 100MΩ MIN.;
2. DURABILITY: 5,000 CYCLES MIN.;
3. INSERTION FORCE: 5-20N;
4. EXTRACTION FORCE: 6-20N;
5. WATER PROOFNESS: THIS PRODUCT IS BASED ON IPX8.
6. PLUG INTERFACE DIMENSIONS COMFORM TO USB2.0 SPEC.
7. PACKAGING: TAPE & REEL.

料号编码:

XXX - XX XX XX X X XXXX

产品类别

- A-USBA
- B-USBB
- C-USBC
- M-MICRO
- N-MINI
- F-母座
- M-公头

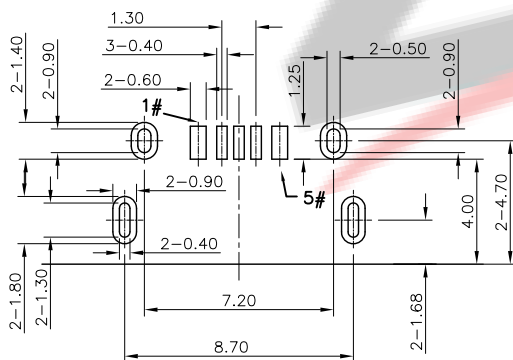
产品上板形态

- S-贴片
- D-插件
- C-沉板
- J-夹板
- H-焊线
- XF-防水产品
- X=上板类型

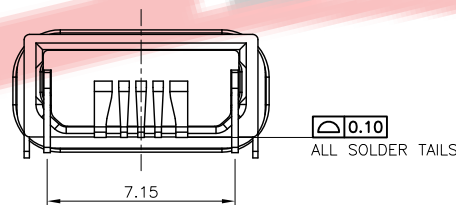
包装方式

- 1. TRAY (吸塑盒)
- 2. TAPE (编带)
- 3. TAPE (袋装)

产品识别流水码



RECOMMENDED P.C.B. LAYOUT (TOP VIEW)
GENERAL TOLERANCE: ±0.05



Contact Number	Signal Name	Remarks
1#	VBUS	Power
2#	D-	Date-
3#	D+	Date+
4#	ID	Reserve or Gound
5#	GND	Gound



深圳市兆达鑫科技有限公司

Shenzhen zhaodaxin Technology Co., Ltd

TITLE:

MICRO5P防水母座四脚前插后贴

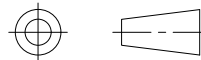
工程图

PART NO.: ZDX-MFMS05ZD01

TEL: 0755-29888153

WEB: <http://www.szzdjmkj.com/>

THIRD ANGLE PROJECTION



UNIT:

mm

SCALE:

1:1

SIZE:

A4

SHEET:

1/2