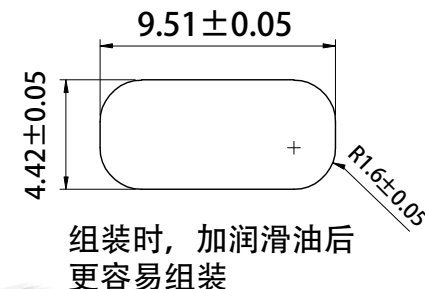
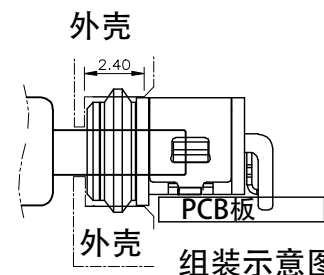
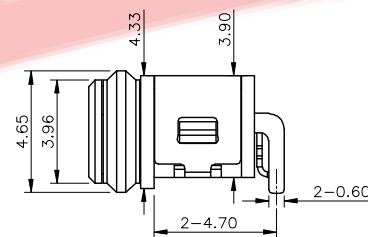
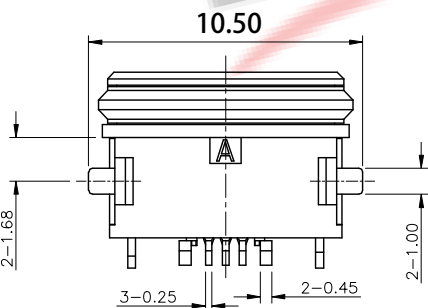
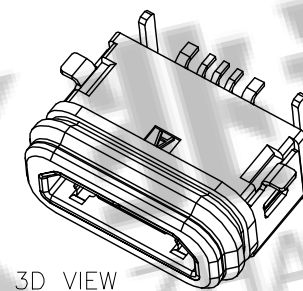
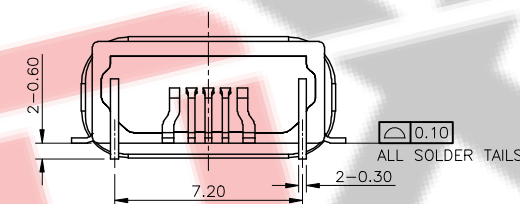
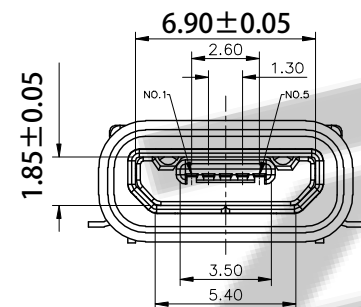
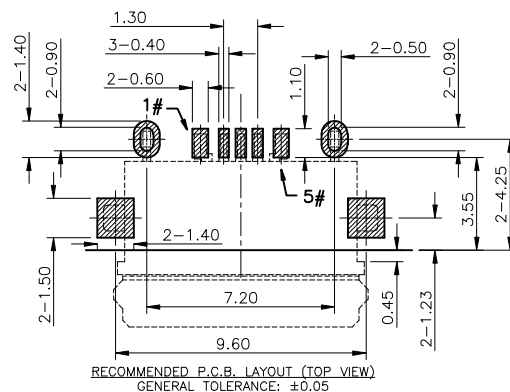
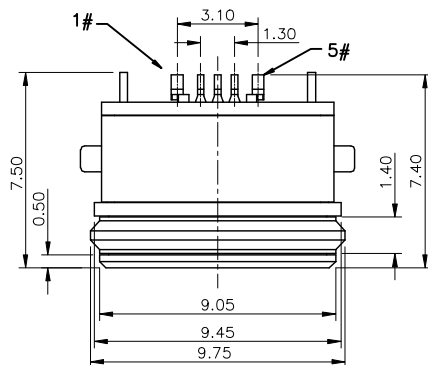


RoHS Compliant

Halogen Free



组装时, 加润滑油后更容易组装

SPECIFICATIONS:

1. ELECTRICAL CHARACTERISTICS:

- 1.1. RATING: 3A;
- 1.2. CONTACT RESISTANCE: 30 mΩ MAX.(INITIAL);
- 1.3. DIELECTRIC WITHSTANDING: 100V AC MIN.;
- 1.4. INSULATION RESISTANCE: 100MΩ MIN.;
2. DURABILITY: 5,000 CYCLES MIN.;
3. INSERTION FORCE: 5-20N;
4. EXTRACTION FORCE: 6-20N;
5. WATER PROOFNESS: THIS PRODUCT IS BASED ON IPX8.
6. PLUG INTERFACE DIMENSIONS COMFORM TO USB2.0 SPEC.
7. PACKAGING: TAPE & REEL.

料号编码:

XXX - XX XX XX X X XXXX

产品类别

- A-USBA
- B-USBB
- C-USBC
- M-MICRO
- N-MINI
- F-母座
- M-公头

产品上板形态

- L-立式
- M-卧式

S-贴片

D-插件

C-沉板

J-夹板

H-焊线

XF-防水产品

X-上板类型

PIN 数

06:6PIN

16:16PIN

24:24PIN

以此产品为准

包装方式

1. TRAY (吸塑盒)

2. TAPE (编带)

3. TAPE (袋装)

产品识别流水码

Contact Number	Signal Name	Remarks
1#	VBUS	Power
2#	D-	Date-
3#	D+	Date+
4#	ID	Reserve or Gound
5#	GND	Gound

ZDX 深圳市兆达鑫科技有限公司
Shenzhen zhaodaxin Technology Co., Ltd

TITLE:

MINI 5PN 180度 直插弯脚

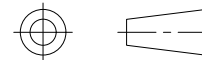
PART NO.: **ZDX-NFLD05ZD08**

TEL: 0755-29888153

工程图

WEB: <http://www.szzdjmkj.com/>

THIRD ANGLE PROJECTION



UNIT:

mm

SCALE:

1:1

SIZE:

A4

SHEET:

1/2