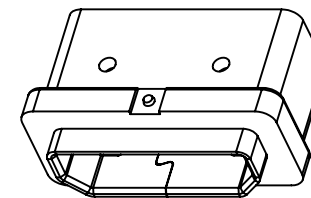


注：设计时，请注意公头插入时的距离，防止公头插不到底。

组装示意图

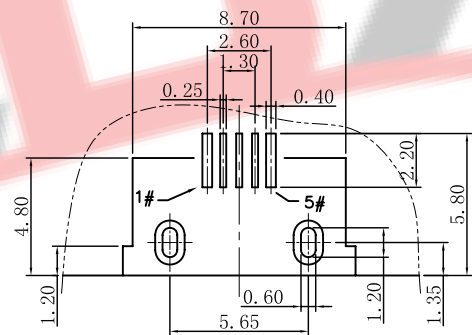
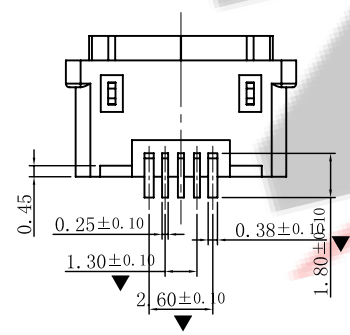
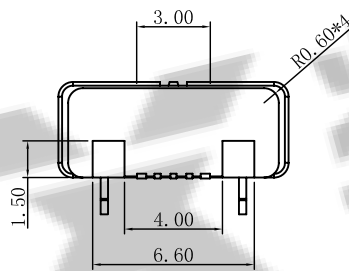
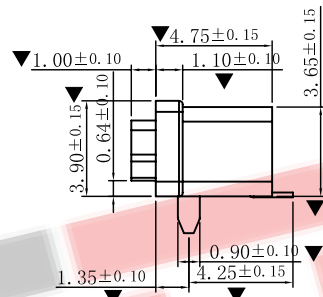
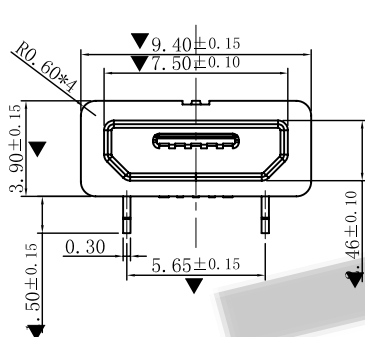


Notes:

1. Dimension shall be interpreted per ASME Y14.5M1994.
2. Dimension marked  $\nabla$  &  $\blacktriangledown$  should be checked by Q.C. and process, engineers and  $\nabla$  should also check the CPK data.

Specification:

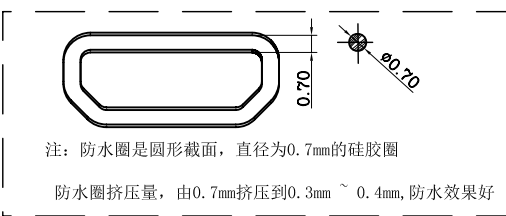
1. Current Rating: 2.0 AMP
2. Voltage Rating: 30V AC,DC
3. Dielectric Strength: 500V AC RMS for 1 minute.
4. Contact Resistance: 30 mΩ Max.
5. Insulator Resistance: 500MΩ Min. AT 250V DC.
6. Mating/Unmating cycles: 2000cycles
7. 料号编码: -20°C to +60°C



P. C. B LAYOUT

XXX - XX XX XX X X XXXX

- 产品类别: A-USBA, B-USBB, C-USBC, M-MICRO, X-MINI, F-母座, M-公头
- 产品上板形态: L-立式, M-卧式
- S-贴片, D-插件, C-沉板, J-夹板, H-焊线, XF-防水产品, X=上板类型
- PIN 数: 06:6PIN, 16:16PIN, 24:24PIN, 以此产品为准
- 包装方式: 1. TRAY (吸塑盒), 2. TAPE (编带), 3. TAPE (袋装)
- 产品识别流水码



Contact Number	Signal Name	Remarks
1#	VBUS	Power
2#	D-	Date-
3#	D+	Date+
4#	ID	Reserve or Gound
5#	GND	Gound

**ZDX** 深圳市兆达鑫科技有限公司  
Shenzhen zhaodaxin Technology Co., Ltd

TITLE: <b>MICRO5P防水母座 小脚前插后贴短头 工程图</b>	PART NO.: <b>ZDX-MFMS05ZD04</b>			
	TEL: 0755-29888153			
	WEB: <a href="http://www.szzdjmkj.com/">http://www.szzdjmkj.com/</a>			
THIRD ANGLE PROJECTION	UNIT: mm	SCALE: 1:1	SIZE: A4	SHEET: 1/2