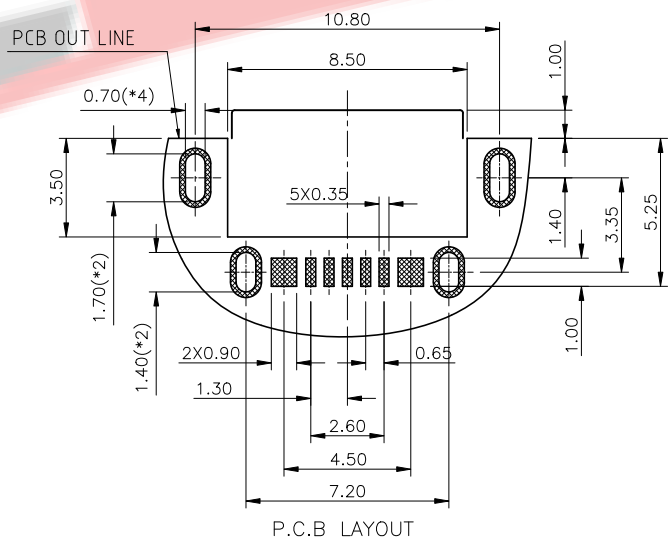
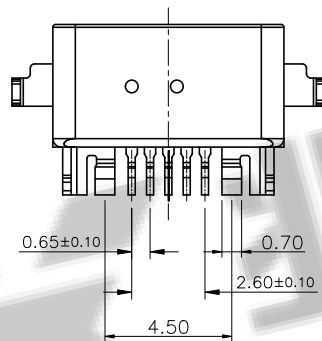
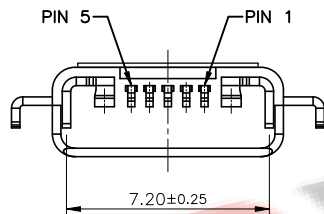
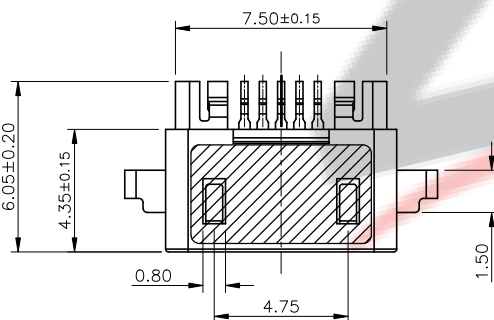
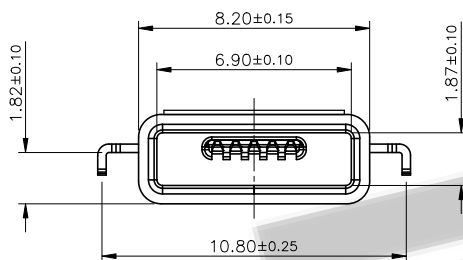
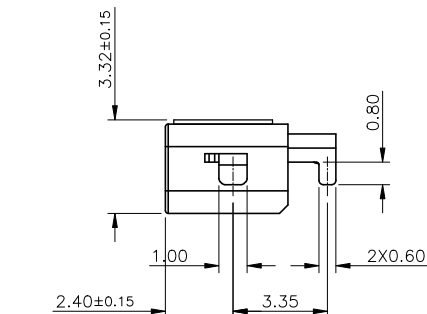


3D VIEW



P.C.B LAYOUT

规格说明:Specifications:电气特性:Electrical:

- 1.额定电流:Current Rating 1.5A/contact terminal
- 2.额定电压:Voltage Rating 30V DC
- 3.接触阻抗:Contact Resistance 30 milliohms MAX
- 4.耐电压:Dielectnc Withstanding Voitage: 500 V AC AT Sea Level
- 5.绝缘阻抗:Insulation Resistance:1000MEGA ohms MIN

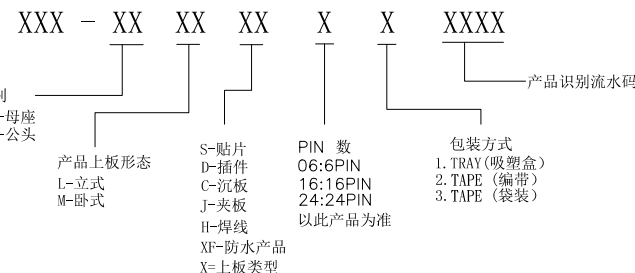
物理性能:Mechanical:

- 1.插拔力:Cnnector Mate and Unmate Force Mate force:3.57kgf(MAX) Unmate force:1.02kgf(MIN)
- 2.端子保持力:Terminal Retenion 1.2kgf(MIN)

原材料:Material:

- 1.塑胶:Housing: Hing TemperatureTnermaplastics, U1 94V-0LCP White/Black
- 2.端子:Contact:Copper Alloy C5191
- 3.外壳:Shell: Copper Alloy C2680

料号编码:



Pin	Signal Name	Remarks
Pin1	VBUS	Power
Pin2	D-	Date-
Pin3	D+	Date+
Pin4	ID	Reserve or Gound
Pin5	GND	Gound

**ZDX** 深圳市兆达鑫科技有限公司  
Shenzhen zhaodaxin Technology Co., Ltd

TITLE: <b>MICRO5P防水母座</b>		PART NO.: <b>ZDX-MFMS05ZD05</b>		
沉板短体L=6.05MM		TEL: 0755-29888153		
工程图		WEB: <a href="http://www.szzdjmkj.com/">http://www.szzdjmkj.com/</a>		
THIRD ANGLE PROJECTION	UNIT: mm	SCALE: 1:1	SIZE: A4	SHEET: 1/2