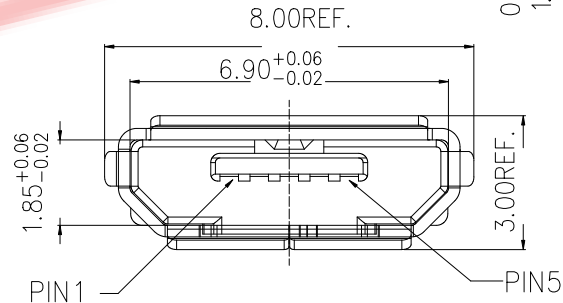
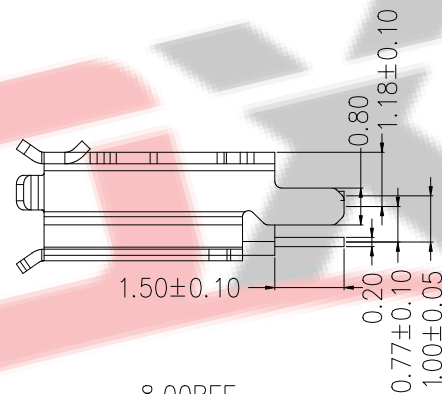
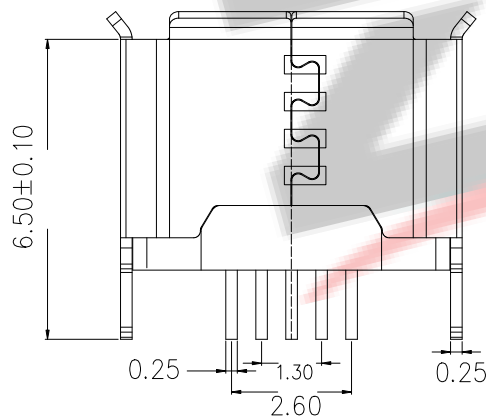


RECOMMENDED PCB LAYOUT



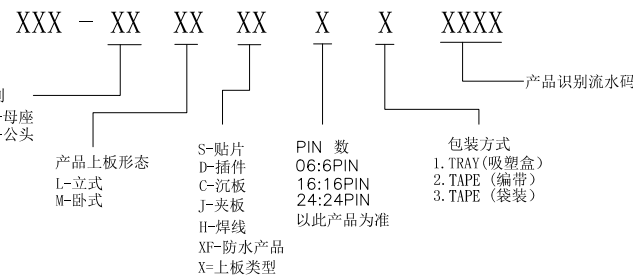
MICRO USB B TYPE PIN ASSIGNMENTS

PIN NUMBER	1	2	3	4	5
SIGNAL NAME	VBUS	D-	D+	ID	GND

备注:

- 1.产品规格:
 1-1.插入力:35N MAX.
 1-2.拔出力:10N MIN.INITIAL 8-20N AFTER
 1-3.额定电流:1.0A
 1-4.额定电压:30V
 1-5.耐久性:10000CYCLES MIN.1-6.耐电压:100V AC MIN.
 1-7.接触阻抗:30mΩ MAX.INITIAL;40mΩ MAX AFTER
 1-8.绝缘电阻:100MQMIN1-9.工作温度:-30° T0+80°
- 2.材质:
 2.1胶芯:LCPUL94V-0
 2.2端子:C2680R-H,镍底, 镀金1U"
 2.3外壳:SUS201/301, 表面镀雾锡/镀镍
- 3.重点尺寸标识"▲"符号

料号编码:



ZDX 深圳市兆达鑫科技有限公司
 Shenzhen zhaodaxin Technology Co., Ltd

TITLE: MICRO 5P立插1.5卷边		PART NO.: ZDX-MFMS05MC39		
TEL: 0755-29888153		WEB: http://www.szzdjmkj.com/		
THIRD ANGLE PROJECTION	UNIT: mm	SCALE: 1:1	SIZE: A4	SHEET: 1/2