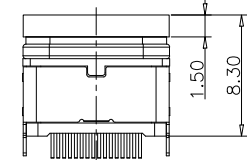
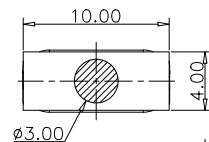
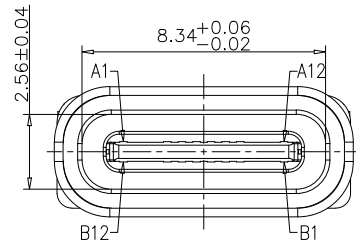


RoHS Compliant

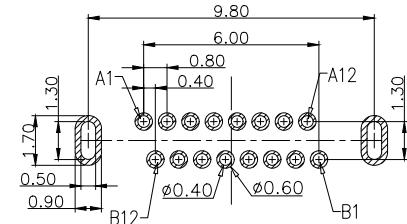
Halogen Free



customer drawing



装前塞示意图

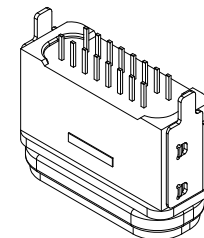
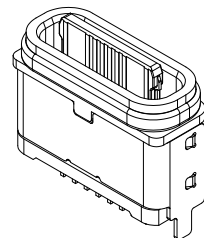
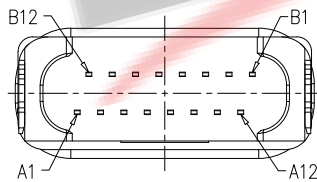
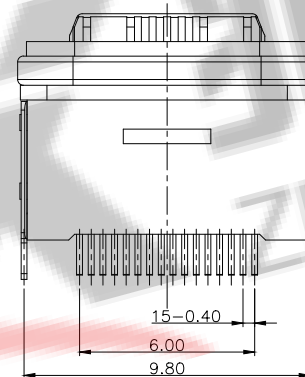
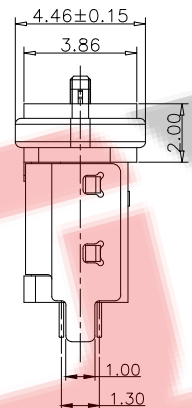
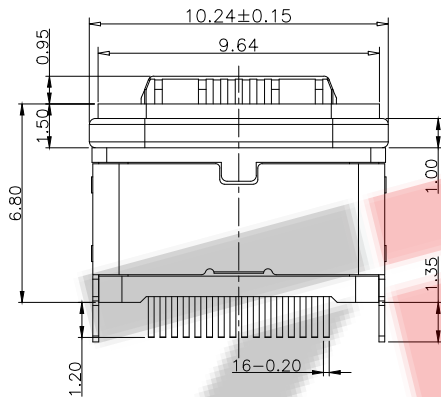


RECOMMEND P.C.B LAYOUT
TOLERANCE UNSPECIFIED ±0.05mm

- NOTES:
SPECIFICATION:
1.CURRENT RATING: 3.0 A
2.VOLTAGE RATING: 3.0 V
3.VBUS & GND PINS AND OTHER PINS: 40mΩ/PIN MAX
SHIELD: 50mΩ/MAX
LLCR MAX. CHANGE OF ALL PINS: 10Ωm
4.INSULATION RESISTANCE: 100MΩ MIN
5.DIELECTRIC WITHSTAND VOLTAGE,AC 100V FOR 1MINUTE
6.INSERTION FORCE: 0.5~2.0kgf
7.UNMATING FORCE: 0.8~2.0kgf
8.DURABILITY: 10000 CYCLES
9.OPERATING TEMPERATURE: -35°C~+85°C
10.THE PEAK TEMPERATURE ON THE BOARD SHALL BE MAINTAINED FOR 10 SECONDS AT 210-230°C
11.WATERPROOF:IP-X7.

USB TYPE C PIN ASSIGNMENTS

PIN NUMBER	SIGNAL NAME	PIN NUMBER	SIGNAL NAME
A1	GND	B12	GND
A4	VBUS	B9	VBUS
A5	CC1	B8	SBU2
A6	DP1	B7	DN2
A7	DN1	B6	DP2
A8	SBU1	B5	CC2
A9	VBUS	B4	VBUS
A12	GND	B1	GND



料号编码:

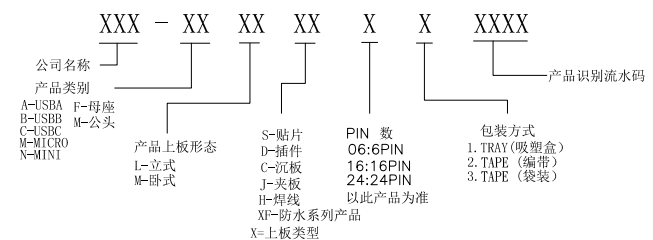


TABLE:

NO	PART	Q'TY	Material
1	PLASTIC SHELL	1	PA46 UL94 V-0 BLACK
2	CONTACT	16	C2680,TIN80u"/Au3u"/Ni30u"PLATED
3	MID PLATE	1	SUS301,NO PLATING
4	HOUSING	1	LCP UL94 V-0 BLACK
5	SHIELDING PLATE	1	SUS,NI PLATED
6	WATERPROOF RING	1	SILICONE UL94 V-0 RED
7	CAP	1	LCP UL94 V-0 BLACK

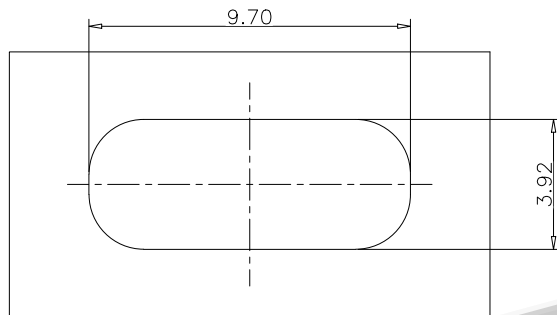
ZDX 深圳市兆达鑫科技有限公司
Shenzhen zhaodaxin Technology Co., Ltd

TITLE: TYPE C 16P 防水母座立式插板 H=6.8mm(U型全塑款)		PART NO.:ZDX-CFLDF162AL21		
工程图		TEL:0755-29888153		
THIRD ANGLE PROJECTION		WEB: http://www.szzdjmj.com/		
	UNIT: mm	SCALE: 1:1	SIZE: A4	SHEET: 1/2

RoHS Compliant

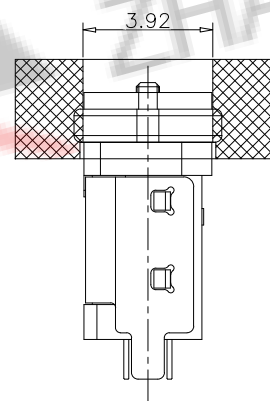
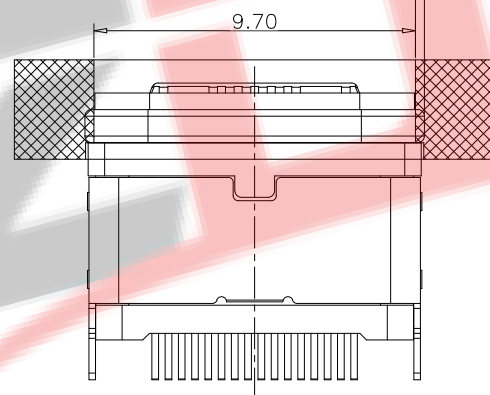
Halogen Free

customer drawing



密封开孔参考尺寸(只供参考)
组装外壳时需要打环保润滑油

机壳面板对密封圈与缩量0.20Min
(建议压缩量为密封圈下压方向35-45%)



ZDX 深圳市兆达鑫科技有限公司
Shenzhen zhaodaxin Technology Co., Ltd

TITLE: U型密封建议尺寸
工程图
PART NO.: ZDX-CFLDF162AL21
TEL: 0755-29888153
WEB: <http://www.szzdjmkj.com/>

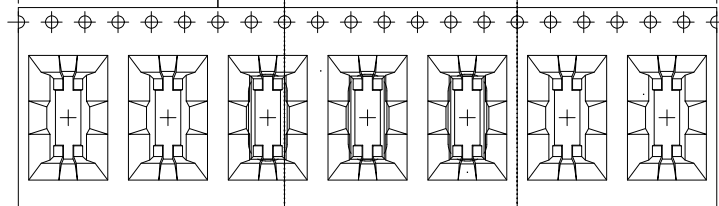
THIRD ANGLE PROJECTION
UNIT: mm
SCALE: 1:1
SIZE: A4
SHEET: 1/2

RoHS Compliant

Halogen Free

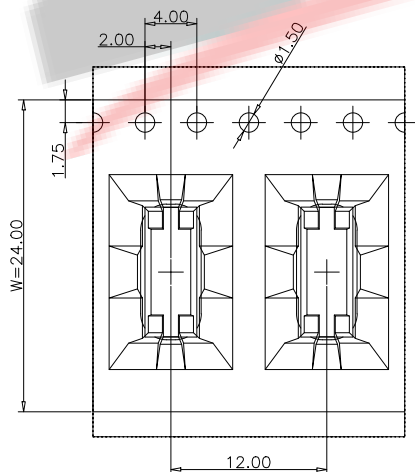
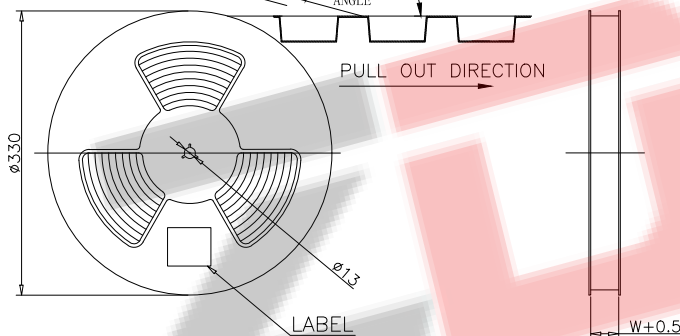
customer drawing

REEL OFF SECTION (14 POCKETS) 700PCS PULL OUT DIRECTION (14 POCKETS)



SEE DETAIL X

PEELING DIRECTION 165°~180° PEELING ANGLE



REEL OFF DIRECTION

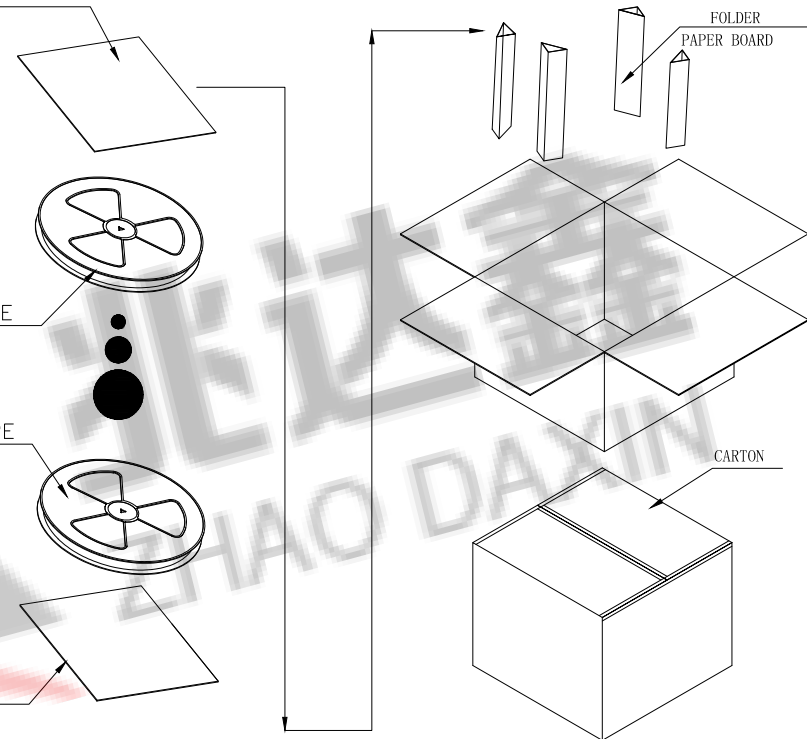
PULL OUT DIRECTION

PAPER BOARD

REEL AND TAPE

REEL AND TAPE

PAPER BOARD



	REEL	CARTON
CONNECTOR (PCS)	500	5000

ZDX 深圳市兆达鑫科技有限公司
Shenzhen zhaodaxin Technology Co., Ltd

TITLE: TYPE C 16P 防水母座立式插/贴板 -包装规范 工程图
PART NO.: ZDX-CFLDF162AL21
TEL: 0755-29888153
WEB: <http://www.szzdjmkj.com/>

THIRD ANGLE PROJECTION	UNIT:	SCALE:	SIZE:	SHEET:
	mm	1:1	A4	1/2