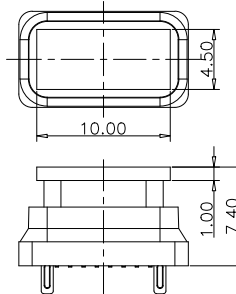
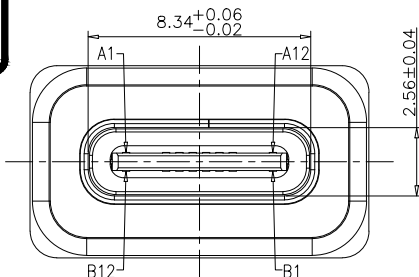


RoHS Compliant

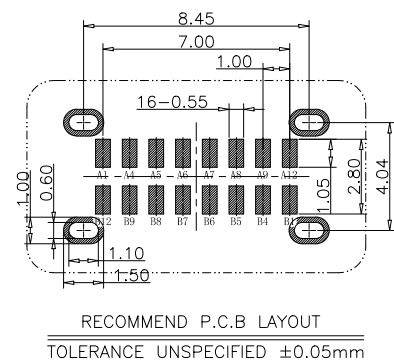
Halogen Free



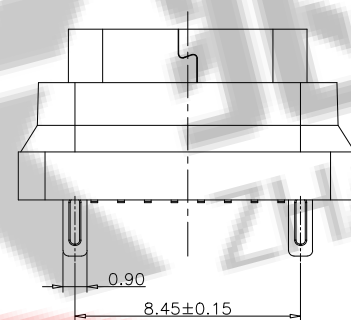
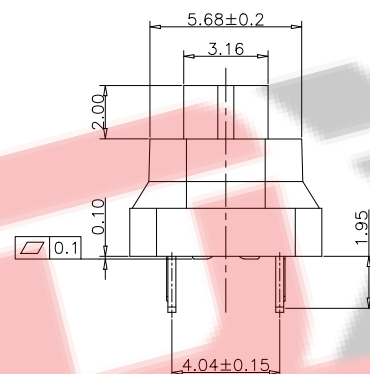
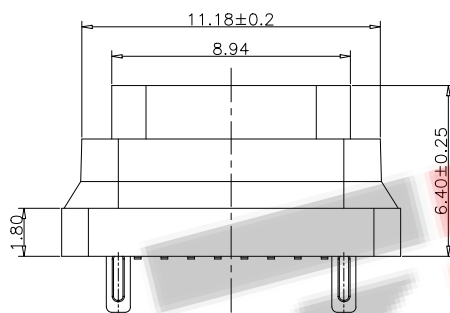
customer drawing



装前塞示意图

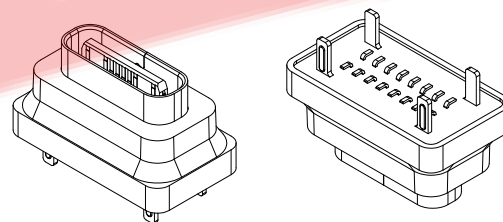
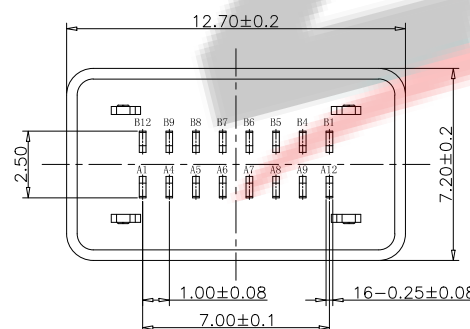


- NOTES:
SPECIFICATION:
- CURRENT RATING: 5.0 A
 - VOLTAGE RATING: 5.0 V
 - VBUS & GND PINS AND OTHER PINS: 40mΩ/PIN MAX
SHIELD: 50mΩ/MAX
LLCR MAX. CHANGE OF ALL PINS: 10Ωm
 - INSULATION RESISTANCE: 100MΩ MIN
 - DIELECTRIC WITHSTAND VOLTAGE, AC 100V FOR 1MINUTE
 - INSERTION FORCE: 0.5~2.0kgf
 - UNMATING FORCE: 0.8~2.0kgf
 - DURABILITY: 10000 CYCLES
 - OPERATING TEMPERATURE: -35°C~+85°C
 - THE PEAK TEMPERATURE ON THE BOARD SHALL BE MAINTAINED FOR 10 SECONDS AT 210-250°C
 - WATERPROOF: IP-X7.



USB TYPE C PIN ASSIGNMENTS

PIN NUMBER	SIGNAL NAME	PIN NUMBER	SIGNAL NAME
A1	GND	B12	GND
A4	VBUS	B9	VBUS
A5	CC1	B8	SBU2
A6	DP1	B7	DN2
A7	DN1	B6	DP2
A8	SBU1	B5	CC2
A9	VBUS	B4	VBUS
A12	GND	B1	GND



料号编码:

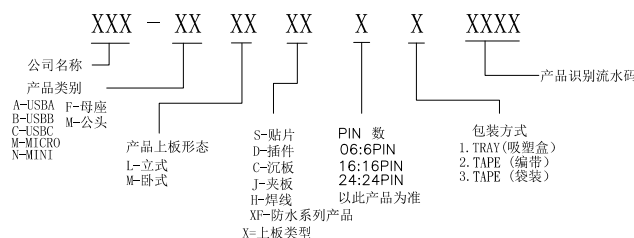
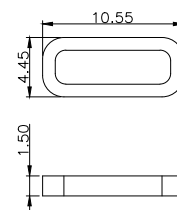


TABLE:

NO	PART	Q'TY	Material
1	PLASTIC SHELL	1	PA&LCP UL94 V-0 BLACK
2	SHELL	1	STAINLESS STEEL, NI PLATED
3	CONTACT	16	COPPER ALLOY, TIN/AU/NI PLATED
4	MD PLATE	1	STAINLESS STEEL, NO PLATING
5	MD HOUSING	1	PA&LCP UL94 V-0 BLACK
6	WATERPROOF RING	1	SILICONE UL94 V-0 BLACK



防水圈图示

ZDX 深圳市兆达鑫科技有限公司
Shenzhen zhaodaxin Technology Co., Ltd

TITLE: TYPE C 16P 立式防水母座SMT H=6.5	PART NO.: ZDX-CFLSF162AL12			
工程图	TEL: 0755-29888153			
THIRD ANGLE PROJECTION	WEB: http://www.szzdjmj.com/			
UNIT: mm	SCALE: 1:1	SIZE: A4	SHEET: 1/2	