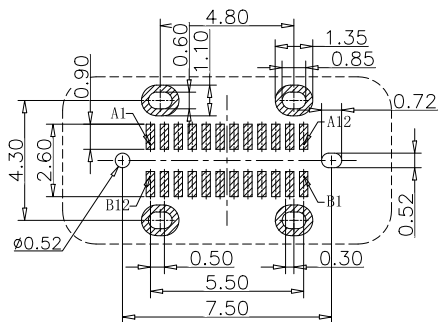


RoHS Compliant Halogen Free



customer drawing



RECOMMEND P.C.B LAYOUT(COMPONENT SIDE)  
TOLERANCE FOR PCB LAYOUT IS ±0.05

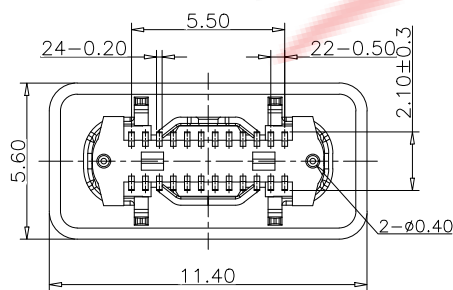
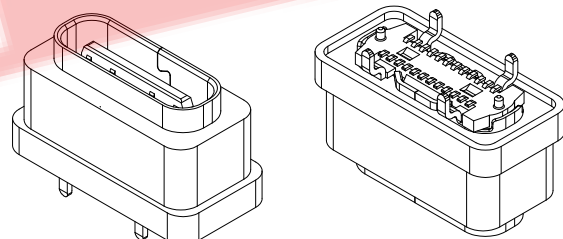
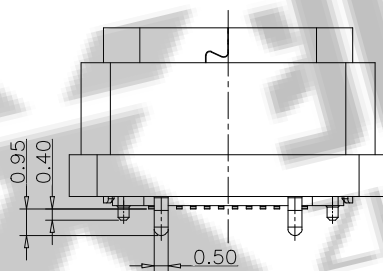
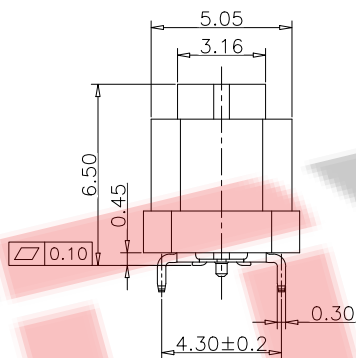
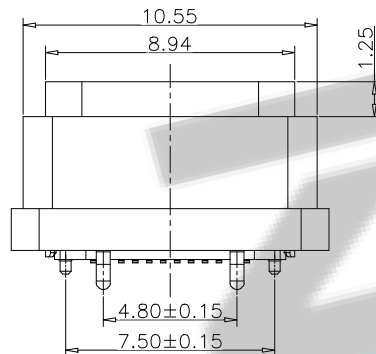
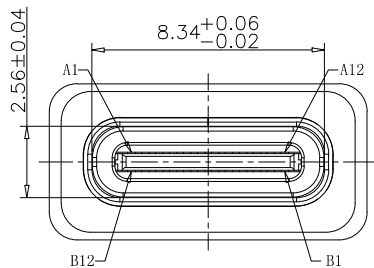


TABLE:

NO	PART	Q'TY	Material
1	SHELL	1	SUS304 STEEL,NI PLATED
2	EMI Plate	1	SUS301 STEEL,NO PLATED
3	Mid Plate	1	SUS301 STEEL,NO PLATED
4	CONTACT	24	C18150,TIN/Au3u"/NI PLATED
5	1MD HOUSING	1	LCP BLACK UL94 V-0
6	2MD HOUSING	1	LCP BLACK UL94 V-0
7	PLASTIC SHELL	1	PA BLACK UL94 V-0

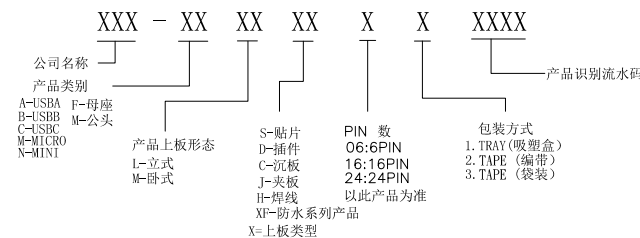
NOTE:

- MECHANICAL PERFORMANCE,
  - INSERTION FORCE: 0.5~2.0kgf.
  - EXTRACTION FORCE: 0.8kgf~2.0kgf. 0.6kgf~2.0kgf. AFTER DURABILITY TEST.
  - DURABILITY: 10000 CYCLES.
- ELECTRICAL PERFORMANCE,
  - CURRENT RATING:5.0A VOLTAGE RATING:5.0V
  - LLCR: VBUS & GND PINS AND OTHER PINS: 40mΩ/PIN MAX. SHIELD: 50mΩ/MAX. LLCR MAX. CHANGE OF ALL PINS: 10mΩ.
  - INSULATION RESISTANCE: 100MΩ MIN
  - DIELECTRIC WITHSTAND VOLTAGE,AC 100V FOR 1 MINUTE.
- ENVIRONMENTAL PERFORMANCE: OPERATING TEMPERATURE: -25°C~+85°C.
- IR REFLOW: THE PEAK TEMPERATURE ON THE BOARD SHALL BE MAINTAINED FOR 10 SECONDS AT 260°C.

USB TYPE C PIN ASSIGNMENTS

PIN NUMBER	SIGNAL NAME	PIN NUMBER	SIGNAL NAME
A1	GND	B12	GND
A2	SSTXP1	B11	SSRXP1
A3	SSTXN1	B10	SSRXN1
A4	VBUW	B9	VBUS
A5	CC1	B8	SBU2
A6	DP1	B7	DN2
A7	DN1	B6	DP2
A8	SBU1	B5	CC2
A9	VBUS	B4	VBUS
A10	SSRXN2	B3	SSTXN2
A11	SSRXP2	B2	SSTXP2
A12	GND	B1	GND

料号编码:



**ZDX** 深圳市兆达鑫科技有限公司  
Shenzhen zhaodaxin Technology Co., Ltd

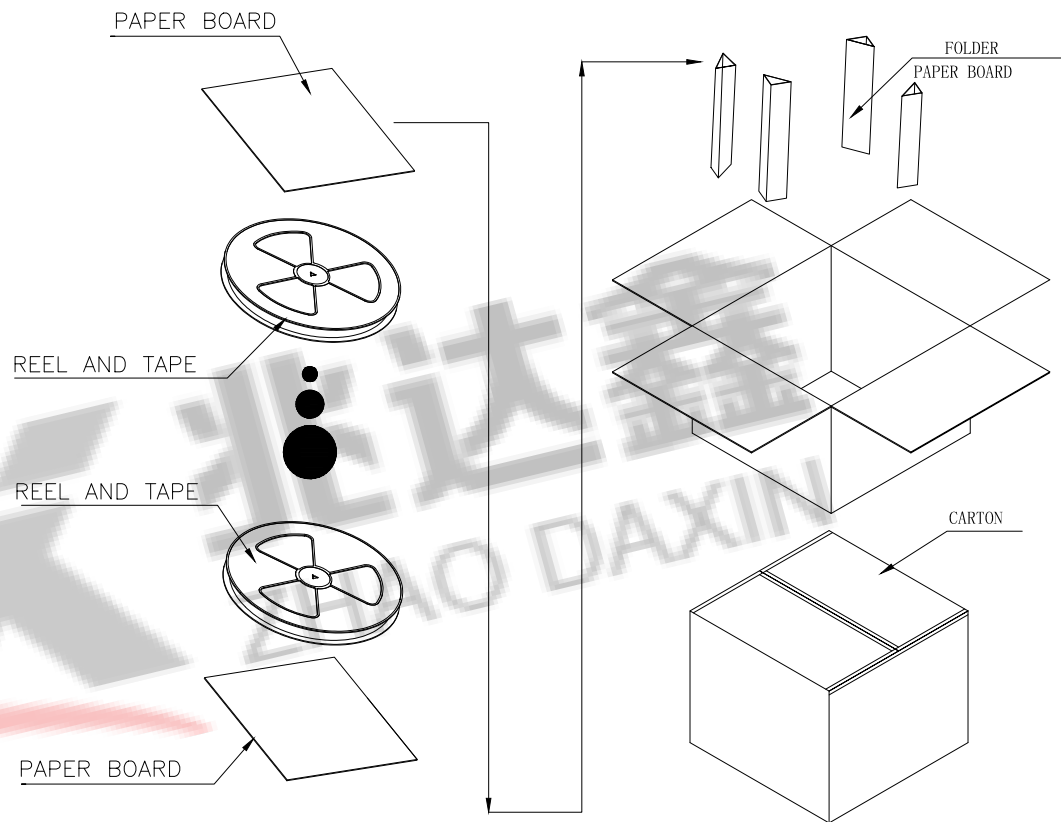
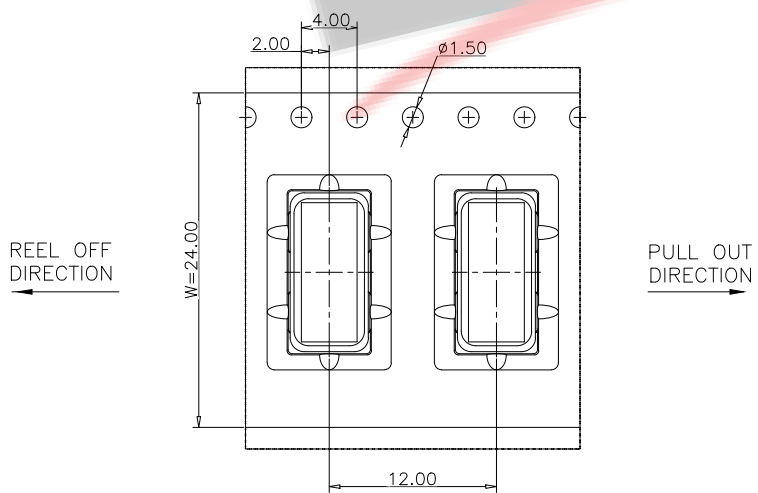
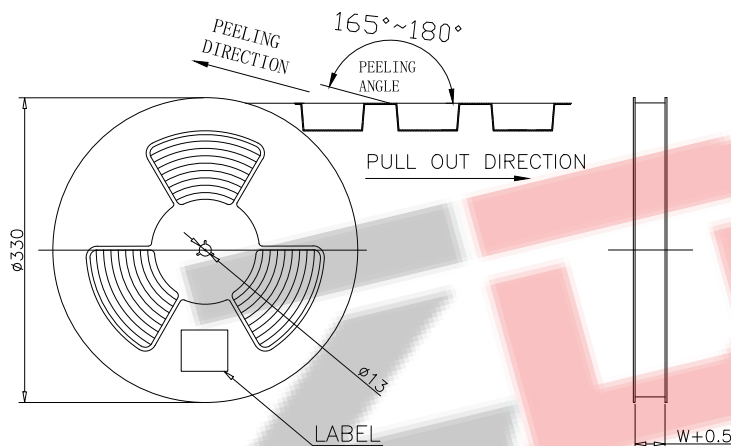
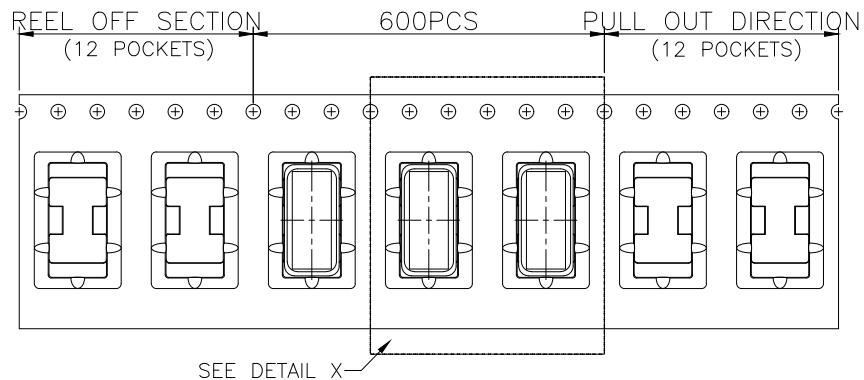
TITLE: TYPE C 24P立贴防水母座H=6.5(外壳4脚)  
PART NO.:ZDX-CFLSF242AL01  
TEL:0755-29888153  
WEB: http://www.szzdjmkj.com/

工程图  
THIRD ANGLE PROJECTION  
UNIT: mm  
SCALE: 1:1  
SIZE: A4  
SHEET: 1/2

RoHS Compliant

Halogen Free

customer drawing



	REEL	CARTON
CONNECTOR (PCS)	600	6000

**ZDX** 深圳市兆达鑫科技有限公司  
 Shenzhen zhaodaxin Technology Co., Ltd

TITLE:		PART NO.:ZDX-CFLSF242AL01		
TYPE C 立贴防水母座H=6.5系列-包装规范		TEL:0755-29888153		
工程图		WEB: <a href="http://www.szzdjmj.com/">http://www.szzdjmj.com/</a>		
THIRD ANGLE PROJECTION	UNIT:	SCALE:	SIZE:	SHEET:
	mm	1:1	A4	2/2