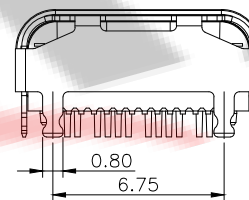
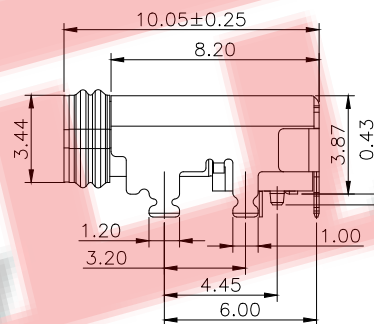
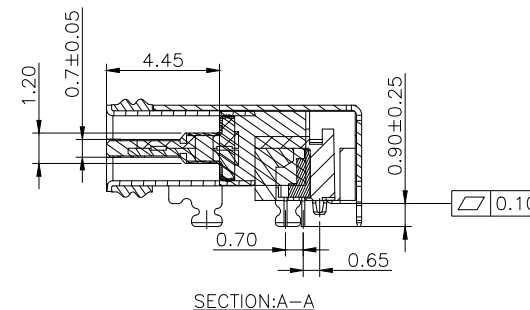
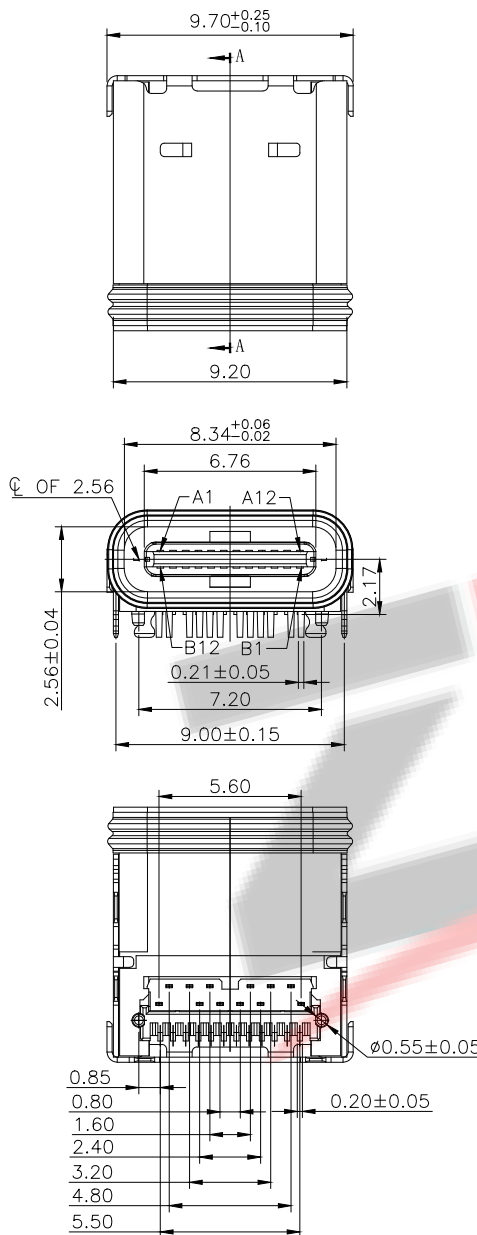


RoHS Compliant

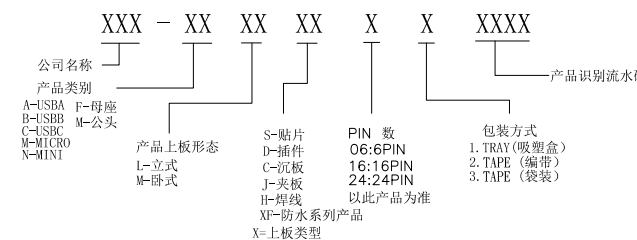
Halogen Free

customer drawing

- NOTES: 1.MATERIAL:  
 MOLDING: LCP UL94 V-0  
 CONTACT: COPPER ALLOY.  
 PLATED GOLD ON CONTACT AREA,  
 G/F GOLD ON SOLDER AREA,  
 50u" NICKEL PLATING OVER ALL.  
 SHELL: SUS304-H,T=0.30±0.03mm  
 50u" NICKEL PLATING OVER ALL.  
 EMI SHILD: SUS304-H,T=0.12±0.03mm  
 LATCH: SUS301-H,T=0.15±0.03mm
- 2.MECHANICAL:  
 INSERTION: 5~20N.  
 EXTRACTION: 8~20N.  
 DURABILITY: 10000 CYCLES
- 3.ELECTRICAL:  
 CURRENT: 5A MAX FOR VBUS;  
 1.25A FOR GND,0.25A FOR OTHER OTHER.  
 VOLTAGE: 20VDC MAX  
 WITHSTANDING VOLTAGE: 100V AC.  
 CONTACT RESISTANCE: 40mΩ MAX.  
 INSULATION RESISTANCE: 100MΩ MIN.
- 4.ENVIRONMENTAL  
 TEMPERATURE RANGE: -55°C TO +80°C



料号编码:



**ZDX** 深圳市兆达鑫科技有限公司  
 Shenzhen zhaodaxin Technology Co., Ltd

|   |             |  |             |               |
|---|-------------|--|-------------|---------------|
| TITLE:<br>TYPE-C 24Pin板上DIP+SMT防水IPX8防水母座 |             | PART NO.:ZDX-CFMDS242CY17  |             |               |
| 工程图                                       |             | TEL:0755-29888153  |             |               |
| THIRD ANGLE PROJECTION                    |             | WEB: <a href="http://www.szzdjmkj.com/">http://www.szzdjmkj.com/</a> |             |               |
|   | UNIT:<br>mm | SCALE:<br>1:1  | SIZE:<br>A4 | SHEET:<br>1/2 |

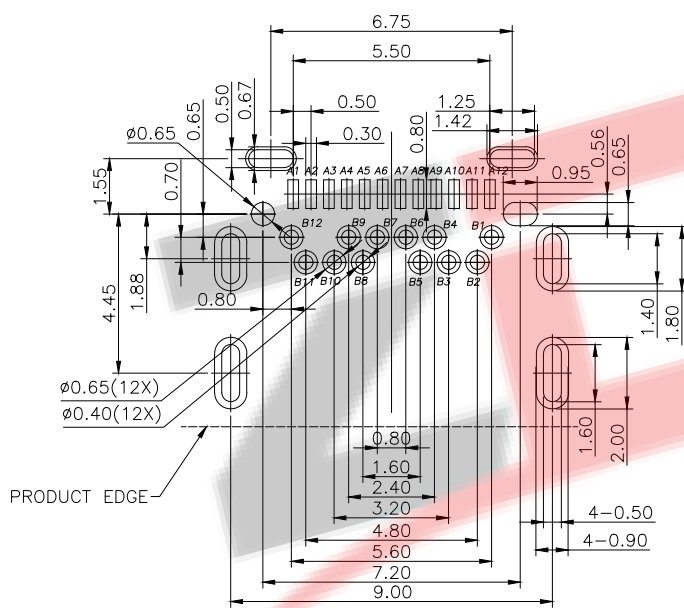
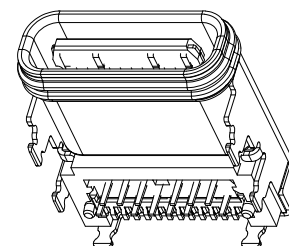
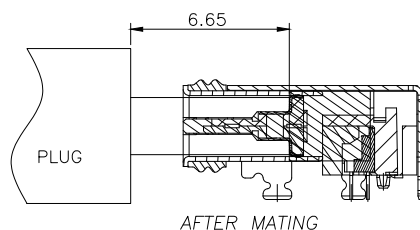
RoHS Compliant

Halogen Free

customer drawing

USB TYPE-C FULL-FEATURED RECEPTACLE INTERFACE PIN ASSIGNMENTS

| PIN | Signal Name | Description   | PIN | Signal Name | Description   |
|-----|-------------|---|-----|-------------|---|
| A1  | GND         | Ground return   | B12 | GND         | Ground return   |
| A2  | SSTXp1      | Positive half of first SuperSpeed TX differential pair    | B11 | SSRXp1      | Positive half of first SuperSpeed RX differential pair    |
| A3  | SSTXn1      | Negative half of first SuperSpeed TX differential pair    | B10 | SSRXn1      | Negative half of first SuperSpeed RX differential pair    |
| A4  | VBUS        | Bus Power   | B9  | VBUS        | Bus Power   |
| A5  | CC1         | Configuration Channel                                     | B8  | SBU2        | Sideband Use (SBU)  |
| A6  | Dp1         | Positive half of the USB 2.0 differential pair-Position 1 | B7  | Dn2         | Negative half of the USB 2.0 differential pair-Position 2 |
| A7  | Dn1         | Negative half of the USB 2.0 differential pair-Position 1 | B6  | Dp2         | Positive half of the USB 2.0 differential pair-Position 2 |
| A8  | SBU1        | Sideband Use (SBU)  | B5  | CC2         | Configuraation Channel                                    |
| A9  | VBUS        | Bus Power   | B4  | VBUS        | Bus Power   |
| A10 | SSRXn2      | Negative half of second SuperSpeed RX differential pair   | B3  | SSTXn2      | Negative half of second SuperSpeed TX differential pair   |
| A11 | SSRXp2      | Positive half of second SuperSpeed RX differential pair   | B2  | SSTXp2      | Positive half of second SuperSpeed TX differential pair   |
| A12 | GND         | Ground return   | B1  | GND         | Ground return   |



SCALE 1.5:1

RECOMMENDED PCB LAYOUT(TOP VIEW)  
THICKNESS 1.0 MM;DEFAULT TOLERANCE:±0.05

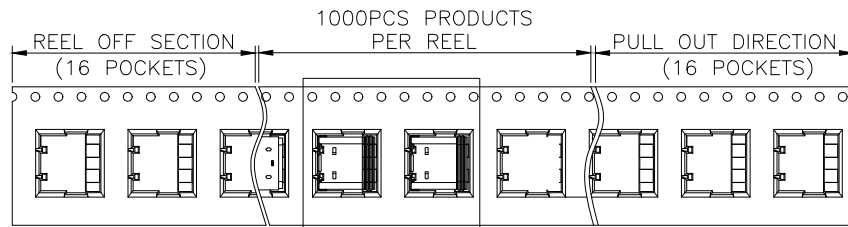
**ZDX** 深圳市兆达鑫科技有限公司  
Shenzhen zhaodaxin Technology Co., Ltd

|                                 |       |  |       |        |
|---------------------------------|-------|--|-------|--------|
| TITLE:                          |       | PART NO.:ZDX-CFMDS242CY17  |       |        |
| TYPE-C 24Pin板上DIP+SMT防水IPX8防水母座 |       | TEL:0755-29888153  |       |        |
| 工程图                             |       | WEB: <a href="http://www.szzdjmkj.com/">http://www.szzdjmkj.com/</a> |       |        |
| THIRD ANGLE PROJECTION          | UNIT: | SCALE:   | SIZE: | SHEET: |
|                                 | mm    | 1:1  | A4    | 1/2    |

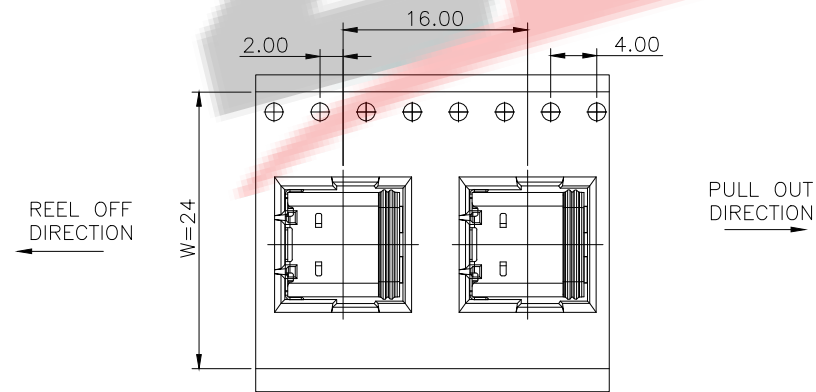
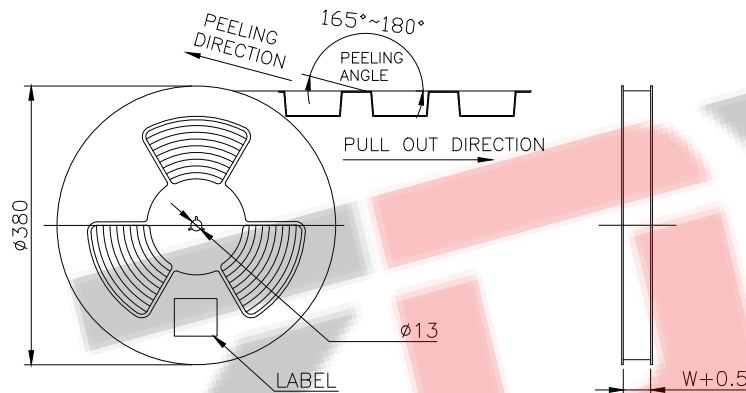
RoHS Compliant

Halogen Free

customer drawing



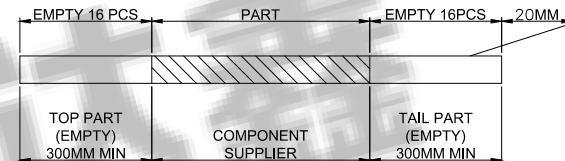
SEE DETAIL X



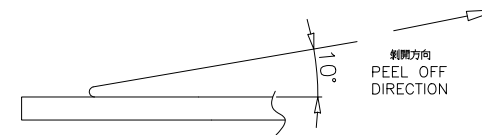
DETAIL X  
SCALE 2:1

NOTES

- 1.帶子引導長度  
LEAD TAPE LENGTH  
出料方向  
PULL OUT DIRECTEON



- 2.上帶 剝力力為: 0.1~1.3N(10.2gf~130gf)  
PEELING OFF FORCE OF TOP TAPE:0.1~1.3N(10.2gf~130gf)  
出貨運輸過程中一定注意:  
THIS REQUIREMENT SHOULD BE APPLIED AT SHIPMENT:  
卷帶在運輸過程中不能散開  
PEELING OFF SHOULD NOT BE ALLOWED DURING TRANSPORTATION



**ZDX** 深圳市兆达鑫科技有限公司  
Shenzhen zhaodaxin Technology Co., Ltd

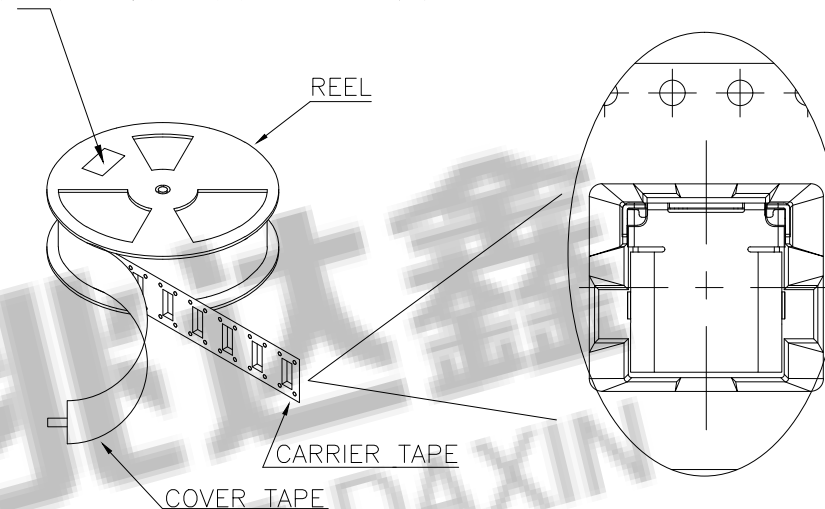
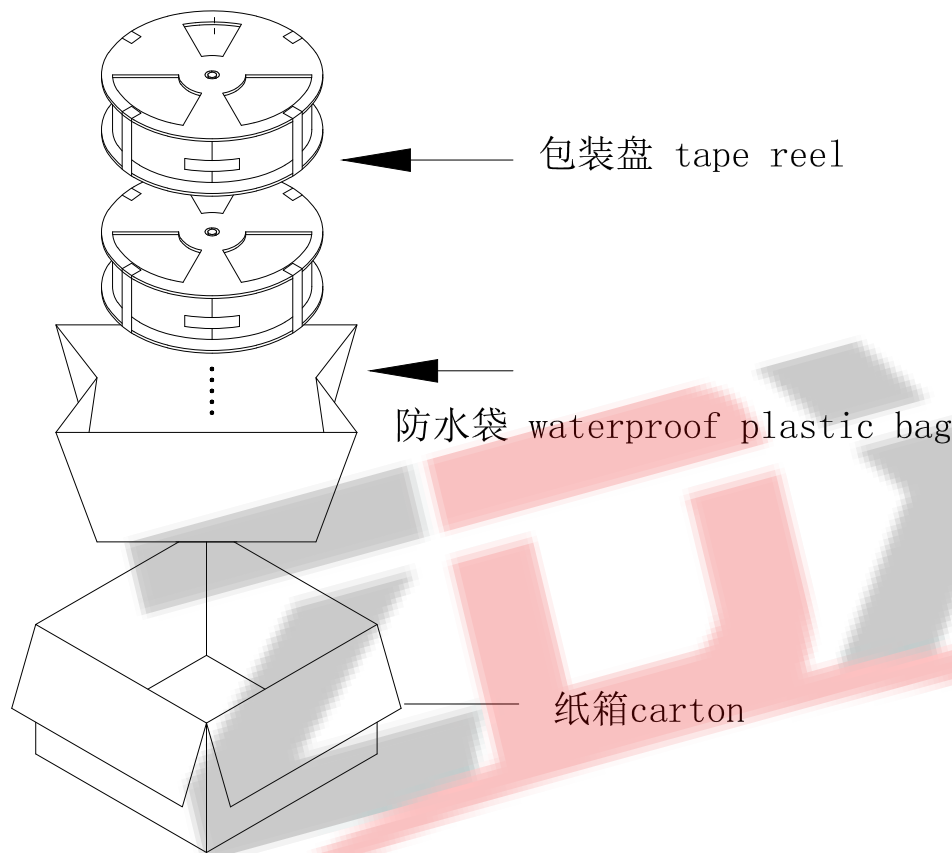
|                                 |       |                              |       |        |
|---------------------------------|-------|------------------------------|-------|--------|
| TITLE:                          |       | PART NO.:ZDX-CFMDS242CY17    |       |        |
| TYPE-C 24Pin板上DIP+SMT防水IPX8防水母座 |       | TEL:0755-29888153            |       |        |
| 工程图                             |       | WEB: http://www.szzdjmj.com/ |       |        |
| THIRD ANGLE PROJECTION          | UNIT: | SCALE:                       | SIZE: | SHEET: |
|                                 | mm    | 1:1                          | A4    | 1/2    |

RoHS Compliant

Halogen Free

customer drawing

Location of label sticking (label at small positioning hole of the carrier tape side).  
 标签粘贴处（朝卷装包材的小定位孔一侧）

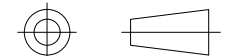


NOTE:

1. 每卷包装数量及每箱装箱数量如左下表格。  
Packing q'ty of each reel & carton as below table shown.
2. 以上胶帶覆盖下包装帶经包装机自粘包装  
Use cover tape to cover and hot melt machine to seal up.
3. 將装满产品的卷盘放入纸箱并以胶帶封口  
Put reels in the carton and use adhesive tape to seal up.

**ZDX** 深圳市兆达鑫科技有限公司  
 Shenzhen zhaodaxin Technology Co., Ltd

TITLE: TYPE-C 24Pin板上DIP+SMT防水IPX8防水母座  
 PART NO.:ZDX-CFMDS242CY17  
 TEL: 0755-29888153  
 工程图  
 WEB: <http://www.szzdjmkj.com/>

THIRD ANGLE PROJECTION  
  
 UNIT: mm  
 SCALE: 1:1  
 SIZE: A4  
 SHEET: 1/2

| 产品料号<br>(PRODUCT No.) | 包装容量 (PACKING CAPACITY) |              |            | 重量 WEIGHT (Kg) |          |          |
|-----------------------|-------------------------|--------------|------------|----------------|----------|----------|
|                       | PCS/REEL                | REELS/CARTON | PCS/CARTON | N.W./PCS       | N.W./BOX | G.W./BOX |
| 1                     | 2                       | 3            | 4          | 5              | 6        | 7        |
|                       | 1000                    | 10           | 10000      |                |          |          |