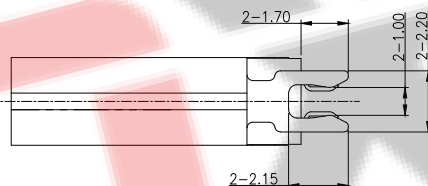
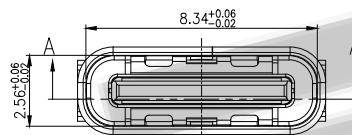
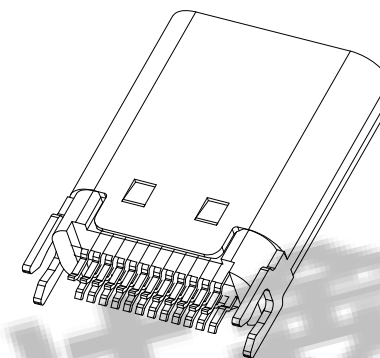


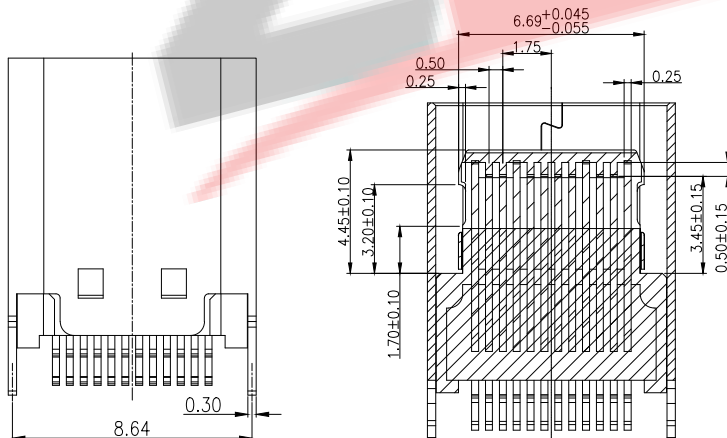
SECTION B-B
SCALE 1:1



料号编码:

XXX - XX XX XX X X XXXX

公司名称							产品识别流水码
产品类别							
A-USBA	F-母座						
B-USBB	M-公头						
C-USBC							
M-MICRO							
X-MINI							
	产品上板形态	S-贴片	PIN 数				包装方式
	L-立式	D-插件	06:6PIN				1. TRAY (吸塑盒)
	M-卧式	C-沉板	16:16PIN				2. TAPE (编带)
		J-夹板	24:24PIN				3. TAPE (袋装)
		H-焊线	以此产品为准				
		XF-防水系列产品					
		X=上板类型					



SECTION A-A
SCALE 1:1

长度可选规格如下

4	10.5
3	10.0
2	9.3
1	8.8
NO	DIM A

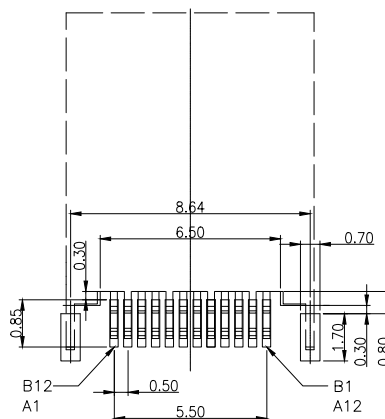
ZDX 深圳市兆达鑫科技有限公司
Shenzhen zhaodaxin Technology Co., Ltd

TITLE:		PART NO.:ZDX-CFLJ241HL01		
TYPE C 母座 24PIN 夹板式0.8-1.0		TEL:0755-29888153		
工程图		WEB: http://www.szzdjmkj.com/		
THIRD ANGLE PROJECTION	UNIT:	SCALE:	SIZE:	SHEET:
	mm	1:1	A4	1/3

RoHS Compliant

Halogen Free

customer drawing



RECOMMENDED P.C.B. LAYOUT (T:1.00mm)
TOLERANCE UNSPECIFIED ±0.05mm

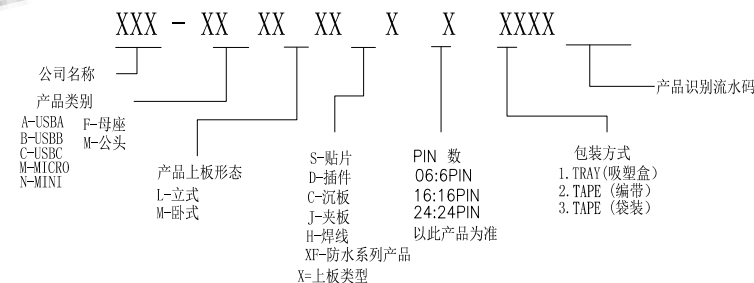
USB TYPE-C FULL-FEATURED RECEPTACLE INTERFACE PIN ASSIGNMENTS

	A	B
1	GND	12 GND
2	SSTXp1	11 SSRXp1
3	SSTXn1	10 SSRXn1
4	VBUS	9 VBUS
5	CC1	8 SBU2
6	Dp1	7 Dn2
7	Dn1	6 Dp2
8	SBU1	5 CC2
9	VBUS	4 VBUS
10	SSRXn2	3 SSTXn2
11	SSRXp2	2 SSTXp2
12	GND	1 GND

NOTES:

- 1.MATERIAL:
MOLDING: LCP UL94 V-0
CONTACT:COPPER ALLOY.
GOLD PLATED 1u” Min ON CONTACT AREA,80u”
Min TIN (LEAD FREE) ON SOLDER AREA,
SHELL: SUS304-H,T=0.30±0.03mm
50u” NICKEL PLATING OVER ALL.
SHILD:SUS301-H,T=0.12±0.03mm
- 2.MECHANICAL:
INSERTION: 5~20N.
EXTRACTION: 8~20N.
DURABILITY: 10000 CYCLES
- 3.ELECTRICAL:
CURRENT: 5A MIN FOR VBUS;
0.25A MIN FOR OTHER.
VOLTAGE: 5VAC MAX
WITHSTANDING VOLTAGE: 100V AC.
CONTACT RESISTANCE: 40mΩ MAX.
INSULATION RESISTANCE: 100MΩ MIN.
- 4.ENVIRONMENTAL
TEMPERATURE RANGE -55°C ~ +85°C

料号编码:

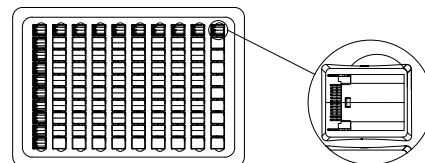


ZDX 深圳市兆达鑫科技有限公司
Shenzhen zhaodaxin Technology Co., Ltd

TITLE: TYPE C 母座 24PIN 夹板式 工程图		PART NO.:ZDX-CFLJ241HL01		
		TEL:0755-29888153		
		WEB: http://www.szzdjmkj.com/		
THIRD ANGLE PROJECTION	UNIT: mm	SCALE: 1:1	SIZE: A4	SHEET: 2/3

將成品依同一方向放入真空盤內,如圖所示.

At same direction, put product onto the tray. Direction refers to below drawing.



VIEW-1

二.

1) 一只紙箱可放置之包裝盤(包括上蓋)見下表.

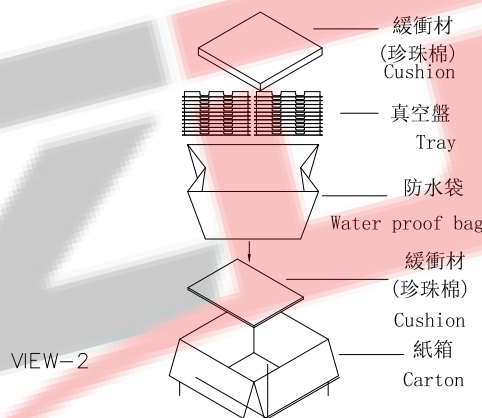
1) trays per carton, please see next table.

2). 每1個紙箱用的包裝數量詳見下表.

2)The Q'ty of products per carton please see next label.

3) 將裝滿成品的真空盤用 PE帶捆緊後放在塑膠袋內,裝完後再封箱.

3) Bind the trays with PE tape and then, put them into the poly bag. Seal the carton with tape.



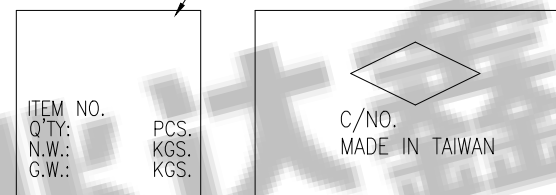
VIEW-2

三.

1). 將標籤貼於紙箱側上方.

Stick the needful label On the up-right corner of the side of carton.

標籤黏貼處
Location of
Sticking label



VIEW-3

備 註(REMARK)

1. 若有未裝滿之零數箱,必須以緩衝材塞滿.

The unfilling-carton must be filled with assuagement.

2. 防水袋需用膠帶貼實且封口.

waterproof plastic bag must be folded up.

3. 裝滿成品后之外箱,最大堆積箱數:5箱

About the box fully filled with products, the MAX accumulating quantity of boxes is 5.

4. 如須貼Bar-code,請依Bar-code作業辦法執行

If barcode lable is required, do it according to the related barcode lable operation standards.



深圳市兆达鑫科技有限公司

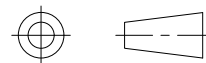
Shenzhen zhaodaxin Technology Co., Ltd

TITLE:

TYPE C 母座 24PIN 夹板式

工程图

THIRD ANGLE PROJECTION



PART NO.:ZDX-CFLJ241HL01

TEL:0755-29888153

WEB: <http://www.szzdjmj.com/>

UNIT:

mm

SCALE:

1:1

SIZE:

A4

SHEET:

3/3

包裝明細表 (The detail of the packing)

產品料號 (Product No.)	包裝容量 (Packing Capacity)		重量 Weight (Kg)			
	pcs/box	boxs/Carton	Pcs/Box	N.W./Pcs	N.W./Box	G.W./Box
FUCR-245X-03XX						