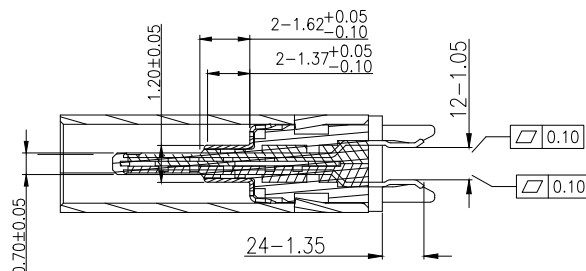
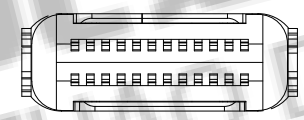
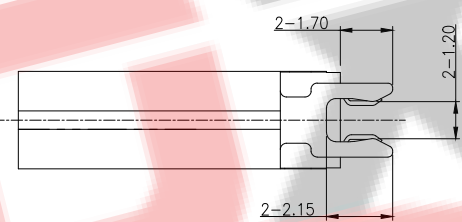
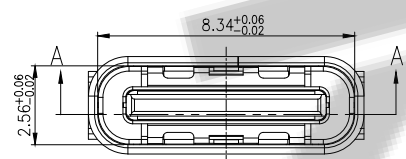
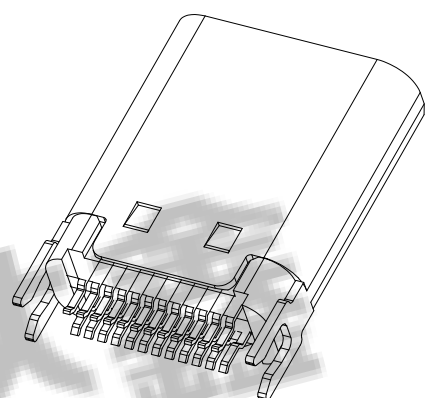


此长度尺寸可选



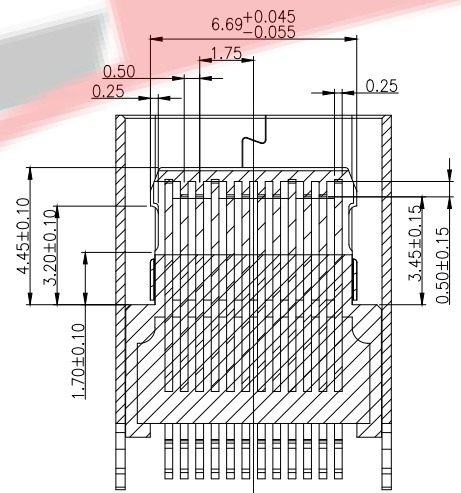
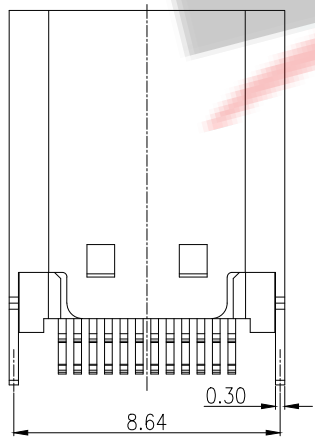
SECTION B-B
SCALE 1:1



料号编码:

XXX - XX XX XX X X XXXX

公司名称							产品识别流水码
产品类别							
A-USBA	F-母座						
B-USBB	M-公头						
C-USBC							
M-MICRO							
X-MINI							
产品上板形态	S-贴片	PIN 数					包装方式
L-立式	D-插件	06:6PIN					1. TRAY (吸塑盒)
M-卧式	C-沉板	16:16PIN					2. TAPE (编带)
	J-夹板	24:24PIN					3. TAPE (袋装)
	H-焊线	以此产品为准					
	XF-防水系列产品						
	X=上板类型						



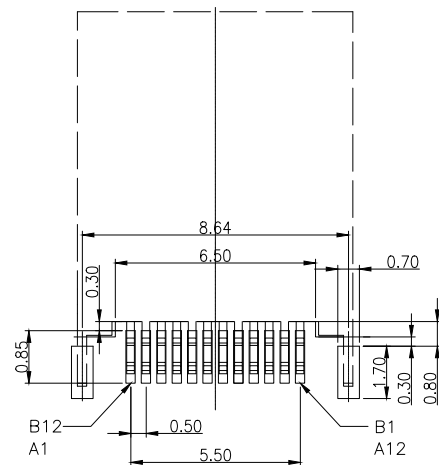
SECTION A-A
SCALE 1:1

长度可选规格如下

4	10.5
3	10.0
2	9.3
1	8.8
NO	DIM A

ZDX 深圳市兆达鑫科技有限公司
Shenzhen zhaodaxin Technology Co., Ltd

TITLE: TYPE C 母座 24PIN 夹板式1.2		PART NO.:ZDX-CFLJ241HL01	
工程图		TEL:0755-29888153	
THIRD ANGLE PROJECTION		WEB: http://www.szzdjmkj.com/	
UNIT: mm	SCALE: 1:1	SIZE: A4	SHEET: 1/3



RECOMMENDED P.C.B. LAYOUT (T:1.20mm)
TOLERANCE UNSPECIFIED ±0.05mm

USB TYPE-C FULL-FEATURED RECEPTACLE INTERFACE PIN ASSIGNMENTS

	A	B
1	GND	12 GND
2	SSTXp1	11 SSRXp1
3	SSTXn1	10 SSRXn1
4	VBUS	9 VBUS
5	CC1	8 SBU2
6	Dp1	7 Dn2
7	Dn1	6 Dp2
8	SBU1	5 CC2
9	VBUS	4 VBUS
10	SSRXn2	3 SSTXn2
11	SSRXp2	2 SSTXp2
12	GND	1 GND

NOTES:

- 1.MATERIAL:
MOLDING: LCP UL94 V-0
CONTACT:COPPER ALLOY.
GOLD PLATED 1u" Min ON CONTACT AREA,80u"
Min TIN (LEAD FREE) ON SOLDER AREA,
SHELL: SUS304-H,T=0.30±0.03mm
50u" NICKEL PLATING OVER ALL.
SHILD:SUS301-H,T=0.12±0.03mm
- 2.MECHANICAL:
INSERTION: 5~20N.
EXTRACTION: 8~20N.
DURABILITY: 10000 CYCLES
- 3.ELECTRICAL:
CURRENT: 5A MIN FOR VBUS;
0.25A MIN FOR OTHER.
VOLTAGE: 5VAC MAX
WITHSTANDING VOLTAGE: 100V AC.
CONTACT RESISTANCE: 40mΩ MAX.
INSULATION RESISTANCE: 100MΩ MIN.
- 4.ENVIRONMENTAL
TEMPERATURE RANGE -55°C ~ +85°C

料号编码:

XXX - XX XX XX X X XXXX

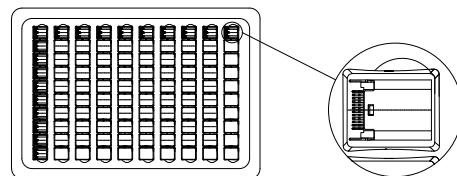


ZDX 深圳市兆达鑫科技有限公司
Shenzhen zhaodaxin Technology Co., Ltd

TITLE: TYPE C 母座 24PIN 夹板式 工程图		PART NO.:ZDX-CFLJ241HL01		
THIRD ANGLE PROJECTION		TEL:0755-29888153		
UNIT: mm		WEB: http://www.szzdjmkj.com/		
SCALE: 1:1		SIZE: A4	SHEET: 3/2	

將成品依同一方向放入真空盤內, 如圖所示.

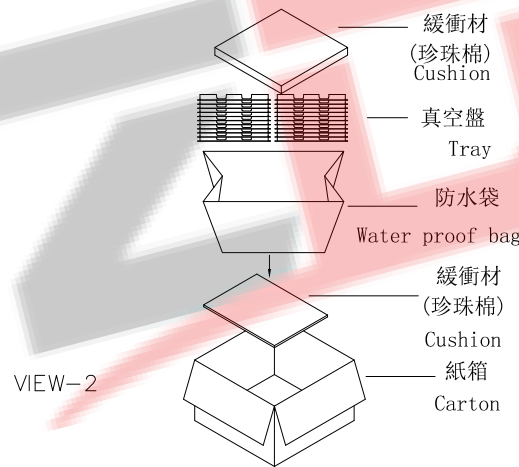
At same direction, put product onto the tray. Direction refers to below drawing.



VIEW-1

二.

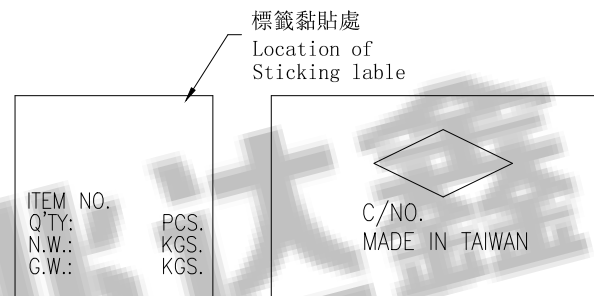
- 1) 一只紙箱可放置之包裝盤(包括上蓋)見下表.
1) trays per carton, please see next table.
- 2). 每1個紙箱用的包裝數量詳見下表.
2) The Q'ty of products per carton please see next tabel.
- 3) 將裝滿成品的真空盤用 PE帶捆緊後放在塑膠袋內, 裝完後再封箱.
3) Bind the trays with PE tape and then, put them into the poly bag. Seal the carton with tape.



VIEW-2

三.

- 1). 將標籤貼於紙箱側麥上方.
Stick the needful label On the up-right corner of the side of carton.



VIEW-3

備 註(REMARK)

1. 若有未裝滿之零數箱, 必須以緩衝材塞滿.
The unfilling-carton must be filled with assuagement.
2. 防水袋需用膠帶貼實且封口.
waterproof plastic bag must be folded up.
3. 裝滿成品后之外箱, 最大堆積箱數: 5箱
About the box fully filled with products, the MAX accumulating quantity of boxes is 5.
4. 如須貼Bar-code, 請依Bar-code作業辦法執行
If barcode lable is required, do it according to the related barcode lable operation standards.

ZDX 深圳市兆达鑫科技有限公司
Shenzhen zhaodaxin Technology Co., Ltd

TITLE:		PART NO.: ZDX-CFLJ241HL01		
TYPE C 母座 24PIN 夹板式 工程图		TEL: 0755-29888153		
THIRD ANGLE PROJECTION		WEB: http://www.szzdjmkj.com/		
	UNIT:	SCALE:	SIZE:	SHEET:
	mm	1:1	A4	3/3

包裝明細表 (The detail of the packing)

產品料號 (Product No.)	包裝容量 (Packing Capacity)			重量 Weight (Kg)		
	pcs/box	boxs/Carton	Pcs/Box	N.W./Pcs	N.W./Box	G.W./Box
FUCR-245X-03XX						