

PIN ASSIGNMENT:

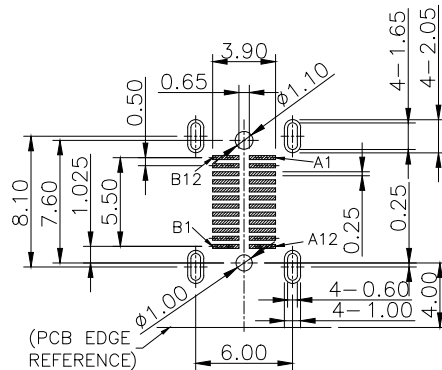
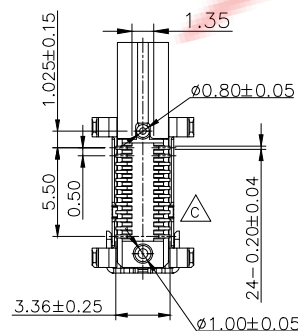
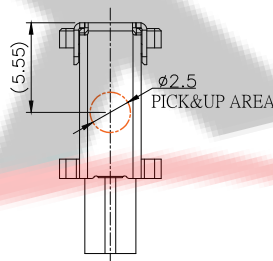
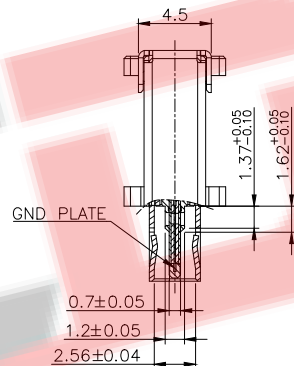
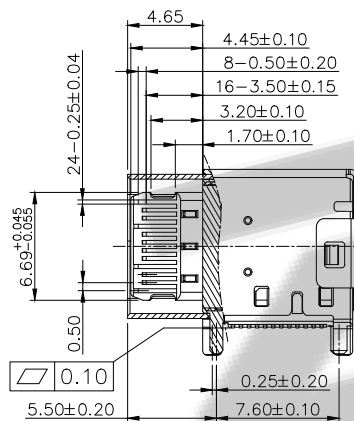
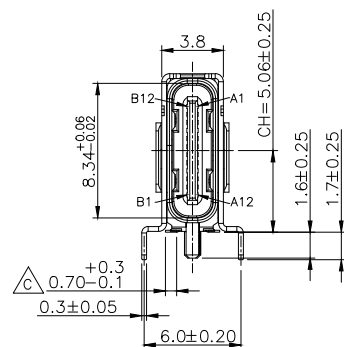
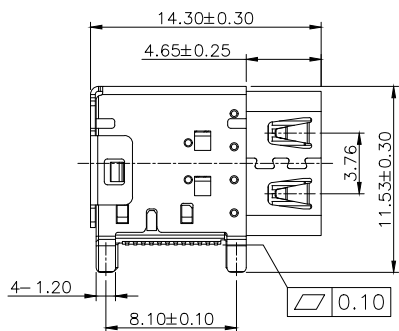
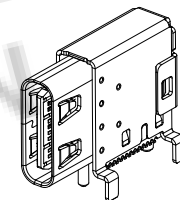
PIN	Signal Name	PIN	Signal Name
A1	GND	B12	GND
A2	SSTXp1	B11	SSRXp1
A3	SSTXn1	B10	SSRXn1
A4	Vbus	B9	Vbus
A5	CC1	B8	SBU2
A6	Dp1	B7	DN2
A7	Dn1	B6	DP2
A8	SBU1	B5	CC2
A9	Vbus	B4	Vbus
A10	SSRXn2	B3	SSTXn2
A11	SSRXp2	B2	SSTXp2
A12	GND	B1	GND

MATERIALS

- HOUSING : LCP (UL 94V-0), BLACK.
- TERMINAL : COPPER ALLOY,
GOLD PLATED ON CONTACT AREA,
GOLD FLASH PLATING ON SOLDER TAIL,
NICKEL UNDERPLATED OVER ALL.
- MID PLATE : STAINLESS STEEL.
- SHELL : STAINLESS STEEL, NICKEL PLATING.

SPECIFICATION

- CURRENT RATING : 5.0A FOR Vbus PIN,
1.25A FOR Vconn PIN,
0.25A FOR OTHER PINS.
- VOLTAGE RATING : 20V DC MAX.
- CONTACT RESISTANCE : 40mΩ.
- INSULATION RESISTANCE : 100MΩ MIN.
- DIELECTRIC WITHSTANDING VOLTAGE : 100 VAC MIN.
- OPERATING TEMPERATURE : -40° C TO +85° C.
- MATING FORCE : 5~20N.
- UNMATING FORCE : 8~20N.
- DURABILITY : 10,000 CYCLES.
- RECOMMENDED PROCESS :
THE PEAK TEMPERATURE ON THE BOARD SHALL
MAINTAIN 260° C.



RECOMMENDED P.C.B LAYOUT
TOLERANCE ± 0.05mm (TOP VIEW)

料号编码:

XXX - XX XX XX X X XXXX

- 公司名称
- 产品类别
A-USB A F-母座
B-USB B M-公头
C-USB C
M-MICRO
N-MINI
- 产品上板形态
L-立式
M-卧式
- S-贴片
D-插件
C-沉板
J-夹板
H-焊线
XF-防水系列产品
X=上板类型
- PIN 数
06:6PIN
16:16PIN
24:24PIN
以此产品为准
- 包装方式
1. TRAY (吸塑盒)
2. TAPE (编带)
3. TAPE (袋装)
- 产品识别流水码

ZDX 深圳市兆达鑫科技有限公司
Shenzhen zhaodaxin Technology Co., Ltd

TITLE: USB 3.1 TYPE-C 24PIN母座 侧立式贴片四脚插板SMT 带弹片 L=14.3mm		PART NO.:ZDX-CFMS242KZ01		
TEL:0755-29888153		WEB: http://www.szzdjmkj.com/		
工程图		UNIT: mm	SCALE: 1:1	SIZE: A4
THIRD ANGLE PROJECTION		SHEET: 1/1		