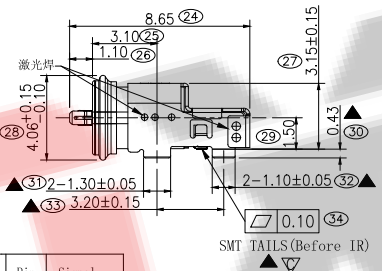
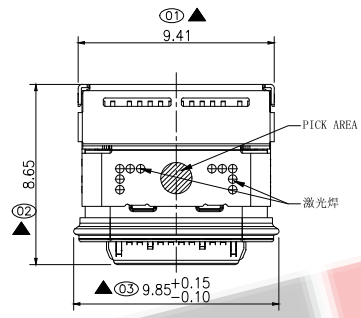
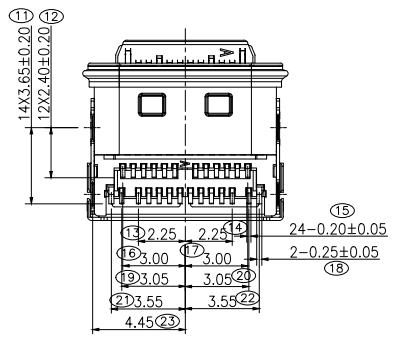
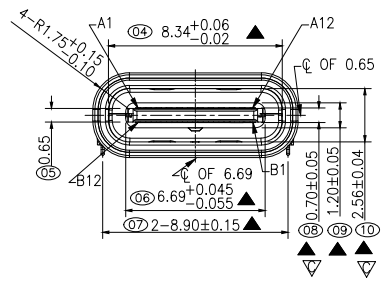
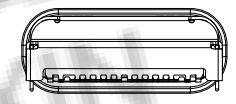
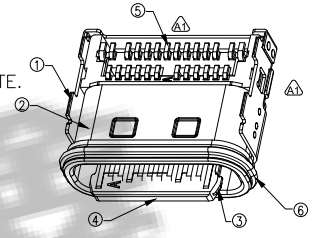


RoHS Compliant Halogen Free

customer drawing



- NOIES:
- ELECTRICAL CHARACTERISTICS:
    - CONTACT CURRENT RATING: 5.0A FOR VBUS PIN AND ITS CORRESPONDING GND PIN.
    - CONTACT RESISTANCE: 30 MILLIOHMS MAX FOR VBUS AND GND CONTACTS. 40 MILLIOHMS MAX FOR ALL OTHER CONTACTS.
    - DIELECTRIC WITHSTANDING VOLTAGE: 100 VRMS AC MIN.
    - INSULATION RESISTANCE: 100 MEGOHMS MIN.
  - MECHANICAL CHARACTERISTICS:
    - CONNECTOR INSERTION FORCE: 5~20N. AT A MAXIMUM RATE OF 12.5MM PER MINUTE.
    - CONNECTOR EXTRACTION FORCE: 8~20N AT A MAXIMUM RATE OF 12.5MM PER MINUTE. 6~20N AFTER DURABILITY TEST.
    - DURABILITY: 10000 CYCLES.
    - OPERATING TEMPERATURE: -55°C TO +85°C
  - SALT SPRAY: 48 HOURS.
  - DIMENSIONS ARE IN MILLIMETERS, BRACKETED DIMENSIONS ARE INCHES EQUIVALENTS.
  - RECOMMENDED PROCESS: IR REFLOW 260°C, 3~5 SECONDS.
  - THE CONNECTOR IS ROHS COMPLIANT AND HALOGEN FREE COMPLIAN.
  - Mark "XX" REFERS TO FAI INSPECTION DIMENSION
  - Mark "▲" IS THE KEY INSPECTION DIMENSION OF IPQC
  - Mark "▽" IS CPK SIZE



料号编码:

XXX - XX XX XX X X XXXX

公司名称 | 产品类别 | 产品上板形态 | S-贴片 | PIN 数 | 包装方式

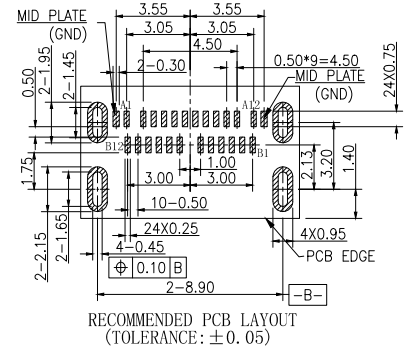
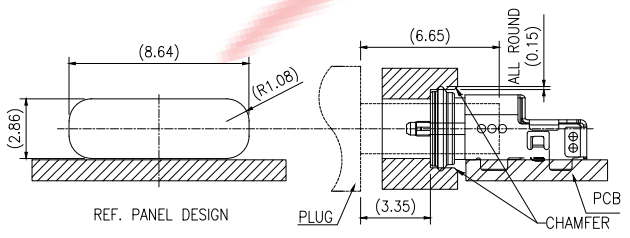
A-USB A F-母座 B-USB B M-公头 C-USB C J-夹板 H-焊线 XF-防水系列产品 X=上板类型

产品识别流水码

1. TRAY (吸塑盒)  
2. TAPE (编带)  
3. TAPE (袋装)

06: 6PIN  
16: 16PIN  
24: 24PIN  
以此产品为准

ITEM	PART NAME	Q'TY	Material&Plating	Pin	Signal Name	Pin	Signal Name
1	SUB-SHELL	1	SUS304 t=0.15, Ni PLATED 30u"	A1	GND	B12	GND
2	MAIN-SHELL	1	SUS316L t=0.20 CLEANING	A2	SSTXp1	B11	SSRXp1
3	LATCH	1	SUS301 t=0.15, Ni PLATED 30u"	A3	SSTXn1	B10	SSRXn1
4	HOUSING	1	PA9T+30%GF, HF BLACK	A4	Vus	B9	Vus
5	CONTACT	24	C7025 t=0.12, Ni 50-150u" UNDER PLATED OVER. 30u" Au PLATED ON THE CONTACT AREA, 3-8u" Au PLATED ON THE SOLDER TAILS.	A5	CC1	B8	SBL2
6	LIM	1	CHN-LIMS-60A/B; Pull force 300g	A6	Dp1	B7	Dn2
5	CONTACT	24	C7025 t=0.12, Ni 50-150u" UNDER PLATED OVER. 15u" Au PLATED ON THE CONTACT AREA, 3-8u" Au PLATED ON THE SOLDER TAILS.	A7	Dn1	B6	Dp2
				A8	SBU1	B5	CC2
				A9	Vus	B4	Vus
				A10	SSRXn2	B3	SSTXn2
				A11	SSRXp2	B2	SSTXp2
				A12	GND	B1	GND



**ZDX** 深圳市兆达鑫科技有限公司  
Shenzhen zhaodaxin Technology Co., Ltd

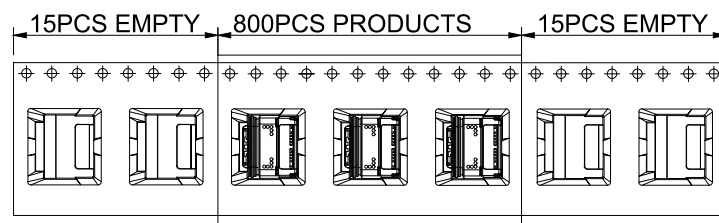
TITLE: TYPE-C 24PIN卧式四脚插 端子双排SMT 防水母座L=8.65MM 胶芯外露1.1MM IPX7级  
PART NO.: ZDX-CFMSF242XM02  
TEL: 0755-29888153  
WEB: http://www.szzdjmj.com/

THIRD ANGLE PROJECTION	UNIT:	SCALE:	SIZE:	SHEET:
	mm	1:1	A4	1/2

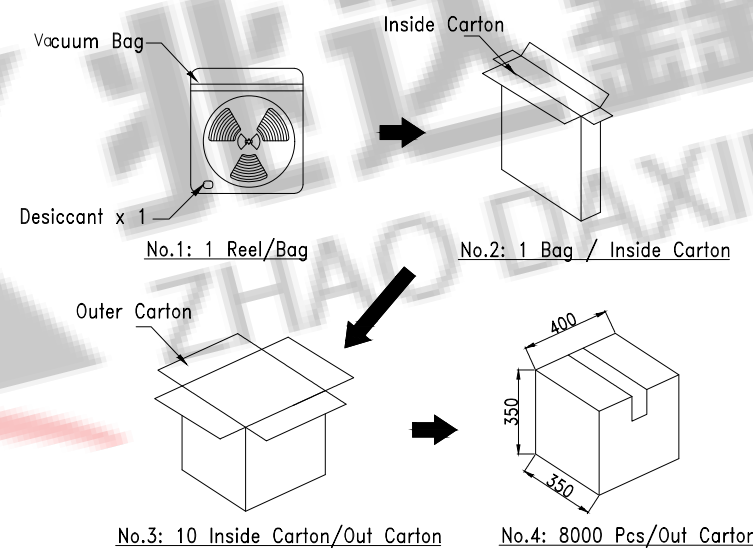
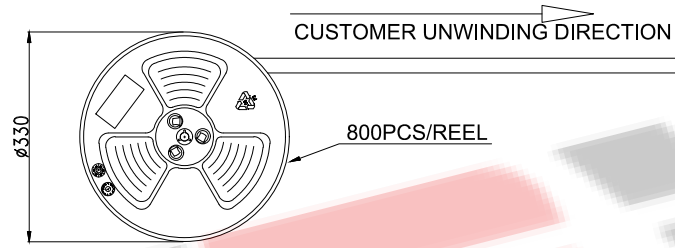
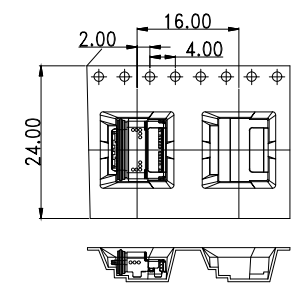
RoHS Compliant

Halogen Free

customer drawing



REEL OFF DIRECTION



包装说明:

1. 将产品放入REEL卷中，然后贴上透明PE上带 800PCS/卷；
2. 然后尾部用胶纸粘贴，在REEL卷盘上贴上数量标签；
3. 将包装好的产品放入指定的外箱中，一箱装10盘, 8000 PCS/箱；
4. 出货标签要严格按照要求进行填写；
5. 纸箱封盖后以封箱胶封箱，贴上出货标签；
6. 外箱若客户另有贴标签要求，则按其订单注明之要求贴；
7. 纸箱尺寸及印刷见包材图面；
8. 未满足之零数箱需以缓冲材料填满，并贴上零数标签，写明具体数量；
9. 本包装适装产品：USB TYPE C母座24P 双排SMT 防水型；
10. ROHS+HF.

**ZDX** 深圳市兆达鑫科技有限公司  
Shenzhen zhaodaxin Technology Co., Ltd

TITLE:TYPE-C 24PIN卧式四脚插 端子双排SMT 防水母座L=8.65MM 胶芯外露1.1MM IPX7级		PART NO.:ZDX-CFMSF242XM02		
包装图		TEL:0755-29888153		
		WEB: http://www.szzdjmkj.com/		
THIRD ANGLE PROJECTION	UNIT: mm	SCALE: 1:1	SIZE: A4	SHEET: 2/2