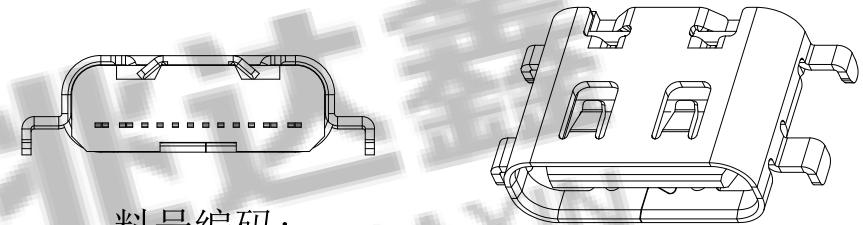


A1	GND	B12	GND
A4	VBUS	B9	VBUS
A5	CC1	B8	SBU2
A6	DP1	B7	DN2
A7	DN1	B6	DP2
A8	SBU1	B5	CC2
A9	VBUS	B4	VBUS
A12	GND	B1	GND
PIN	SIGNAL NAME	PIN	SIGNAL NAME

BOM			
序号	名称	材料规格	
1	Terminal	C2680 T=0.15mm 电镀金1u" Ni:50u"	
2	卡勾	SUS301 3/4H T=0.15mm 素材	
3	Molding 3	LCP 黑色 UL94 V-0	
4	Shell	SUS201 1/4H T=0.30mm Ni:50u"	

NOTES:

- MECHANICAL: MATING FORCE: 5-20N .  
UNMATING FORCE: 8-20N .  
DURABILITY: 10000 CYCLES MIN.
- ELECTRICAL:  
CURRENT: 3.0A MAX  
VOLTAGE: 20V MAX  
WITHSTANDING VOLTAGE: 100V AC  
CONTACT RESISTANCE: 40 mΩ MAX INITIAL;  
50 mΩ MAX AFTER 10000 CYCLES
- ENVIRONMENTAL:  
OPERATING TEMPERATURE RANGE -30° C ~ +80° C
- Salt Spray: 24H



料号编码:

XXX - XX XX XX X X XXXX

公司名称	产品类别	产品上板形态	S-贴片 D-插件 C-沉板 J-夹板 H-焊线 XF-防水系列产品 X=上板类型	PIN 数 06:6PIN 16:16PIN 24:24PIN 以此产品为准	包装方式 1. TRAY (吸塑盒) 2. TAPE (编带) 3. TAPE (袋装)
产品识别流水码					

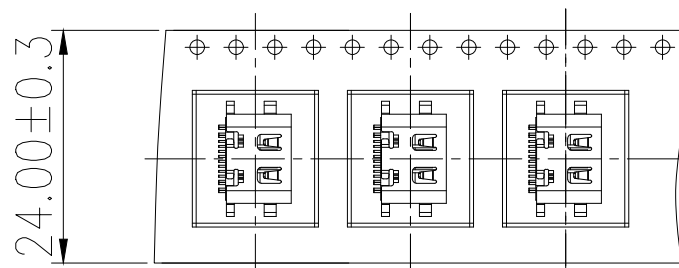
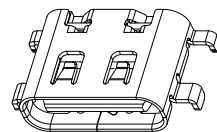
**ZDX** 深圳市兆达鑫科技有限公司  
Shenzhen zhaodaxin Technology Co., Ltd

TITLE: TYPE-C 16PIN四脚沉板0.8 L=6.5MM 外壳带弹片 带凸筋		PART NO.:ZDX-CFMC162YH14			
工程图		TEL:0755-29888153			
THIRD ANGLE PROJECTION		WEB: http://www.szzdjmkj.com/			
UNIT: mm	SCALE: 1:1	SIZE: A4	SHEET: 1/2		

RoHS Compliant

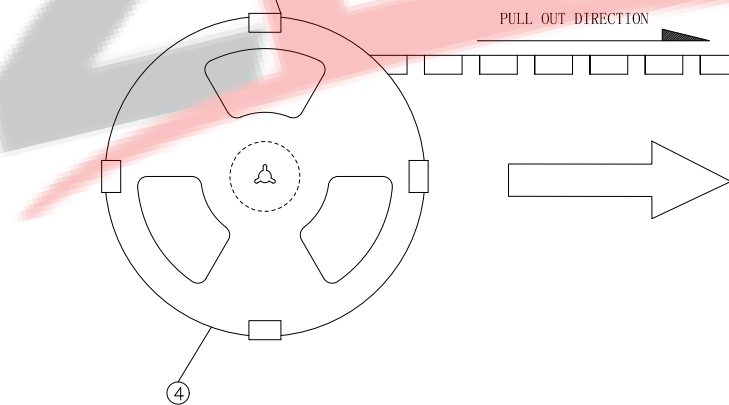
Halogen Free

customer drawing



ADHESIVE TAPE

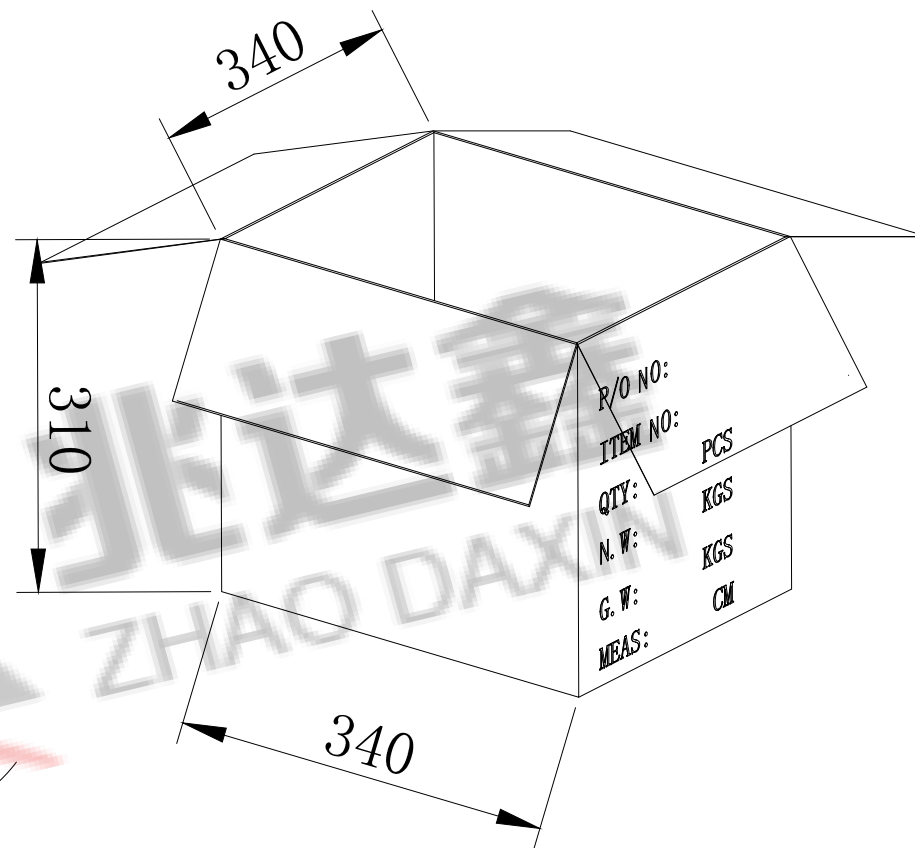
PULL OUT DIRECTION



φ330

28.5

1000PCS/每卷



10卷/每箱

R/O NO:  
ITEM NO:  
QTY: PCS  
N. W: KGS  
G. W: KGS  
MEAS: CM



深圳市兆达鑫科技有限公司

Shenzhen zhaodaxin Technology Co., Ltd

TITLE:

包装图

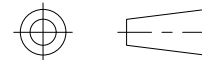
工程图

PART NO.:ZDX-CFMC162YH14

TEL:0755-29888153

WEB: <http://www.szzdjmj.com/>

THIRD ANGLE PROJECTION



UNIT:

mm

SCALE:

1:1

SIZE:

A4

SHEET:

2/2