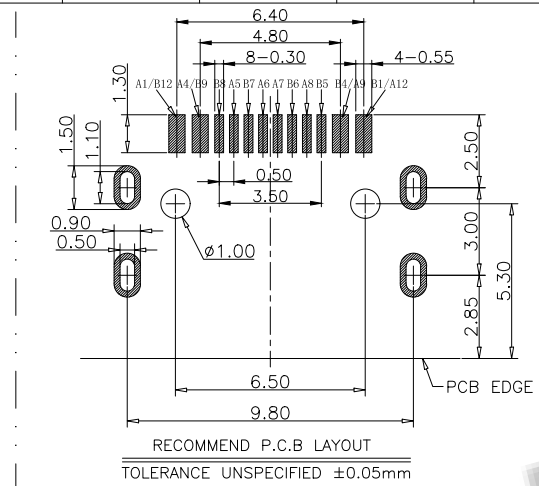
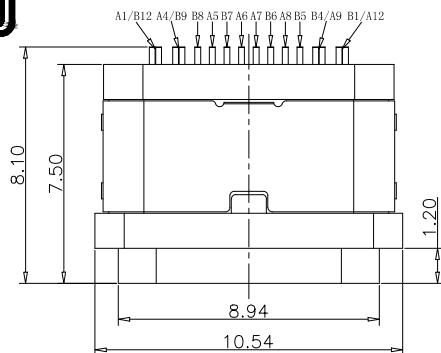


RoHS Compliant

Halogen Free



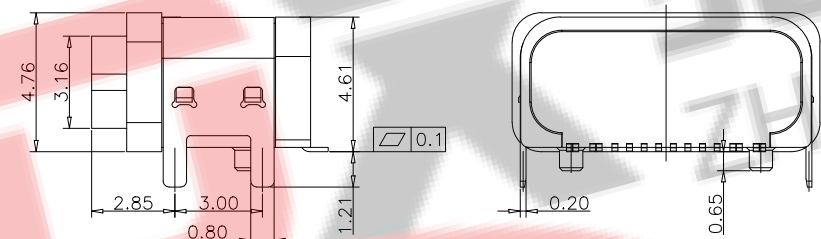
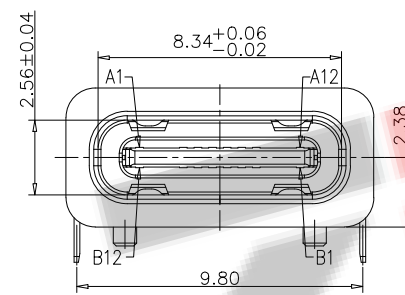
customer drawing



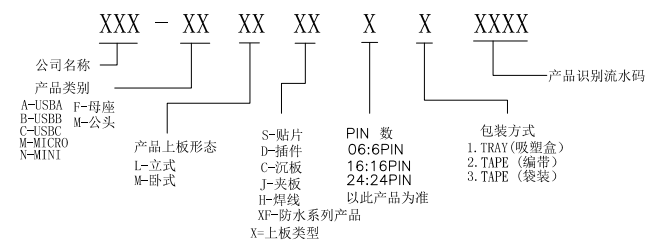
- NOTES:
SPECIFICATION:
 1. CURRENT RATING: 3.0 A
 2. VOLTAGE RATING: 3.0 V
 3. VBUS & GND PINS AND OTHER PINS: 40mΩ/PIN MAX
 SHIELD: 50mΩ/MAX
 LLCR MAX. CHANGE OF ALL PINS: 10Ωm
 4. INSULATION RESISTANCE: 100MΩ MIN
 5. DIELECTRIC WITHSTAND VOLTAGE, AC 100V FOR 1MINUTE
 6. INSERTION FORCE: 0.5~2.0kgf
 7. UNMATING FORCE: 0.8-2.0kgf
 8. DURABILITY: 10000 CYCLES
 9. OPERATING TEMPERATURE: -35°C~+85°C
 10. THE PEAK TEMPERATURE ON THE BOARD SHALL BE MAINTAINED FOR 10 SECONDS AT 210-250°C
 11. WATERPROOF: IP-X7.

TABLE:

NO	PART	Q'TY	Material
1	PLASTIC SHELL	1	PA&LCP UL94 V-0 BLACK
2	SHELL	1	STAINLESS STEEL, NI PLATED
3	CONTACT	16	COPPER ALLOY, TIN/Au/Ni PLATED
4	MD PLATE	1	STAINLESS STEEL, NO PLATING
5	MD HOUSING	1	PA&LCP UL94 V-0 BLACK
6	SHIELDING PLATE	1	STAINLESS STEEL, NI PLATED
7	WATERPROOF RING	1	SILICONE UL94 V-0 BLACK

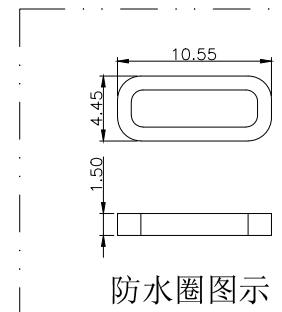
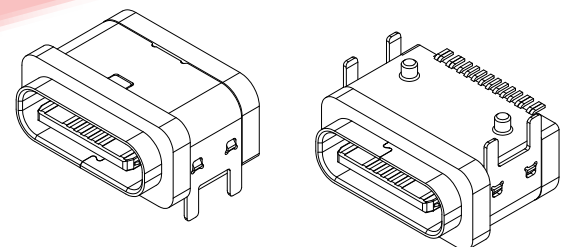


料号编码:



USB TYPE C PIN ASSIGNMENTS

PIN NUMBER	SIGNAL NAME	PIN NUMBER	SIGNAL NAME
A1	GND	B12	GND
A4	VBUS	B9	VBUS
A5	CC1	B8	SBU2
A6	DP1	B7	DN2
A7	DN1	B6	DP2
A8	SBU1	B5	CC2
A9	VBUS	B4	VBUS
A12	GND	B1	GND



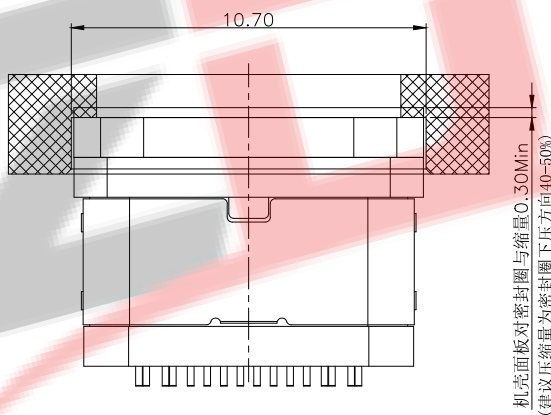
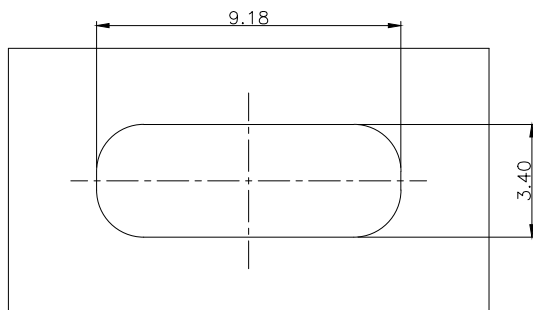
ZDX 深圳市兆达鑫科技有限公司
 Shenzhen zhaodaxin Technology Co., Ltd

TITLE: TYPE C 16P板上防水母座(4脚B款)		PART NO.: ZDX-CFMSF162AL23		
工程图		TEL: 0755-29888153		
THIRD ANGLE PROJECTION		WEB: http://www.szzdjmkj.com/		
UNIT: mm	SCALE: 1:1	SIZE: A4	SHEET: 1/2	

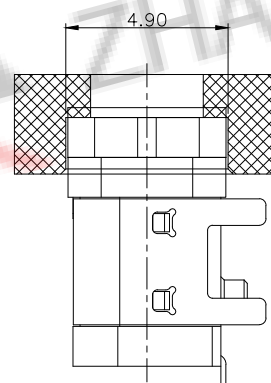
RoHS Compliant

Halogen Free

customer drawing



密封开孔参考尺寸(只供参考)
组装外壳时需要打环保润滑油



ZDX 深圳市兆达鑫科技有限公司
Shenzhen zhaodaxin Technology Co., Ltd

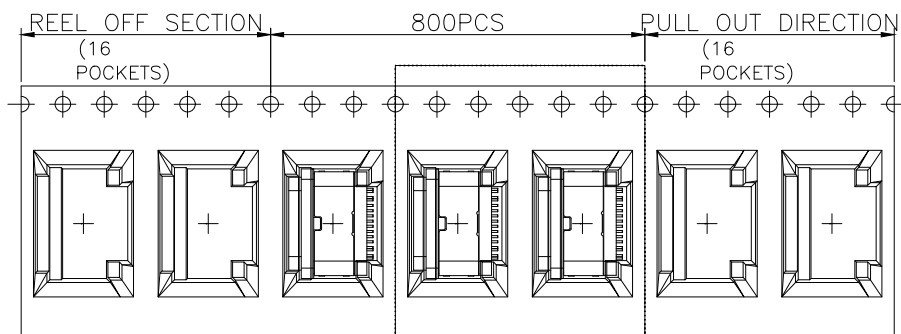
TITLE: 直压密封建议尺寸
PART NO.: ZDX-CFMSF162AL23
TEL: 0755-29888153
WEB: <http://www.szzdjmkj.com/>

THIRD ANGLE PROJECTION
UNIT: mm
SCALE: 1:1
SIZE: A4
SHEET: 1/2

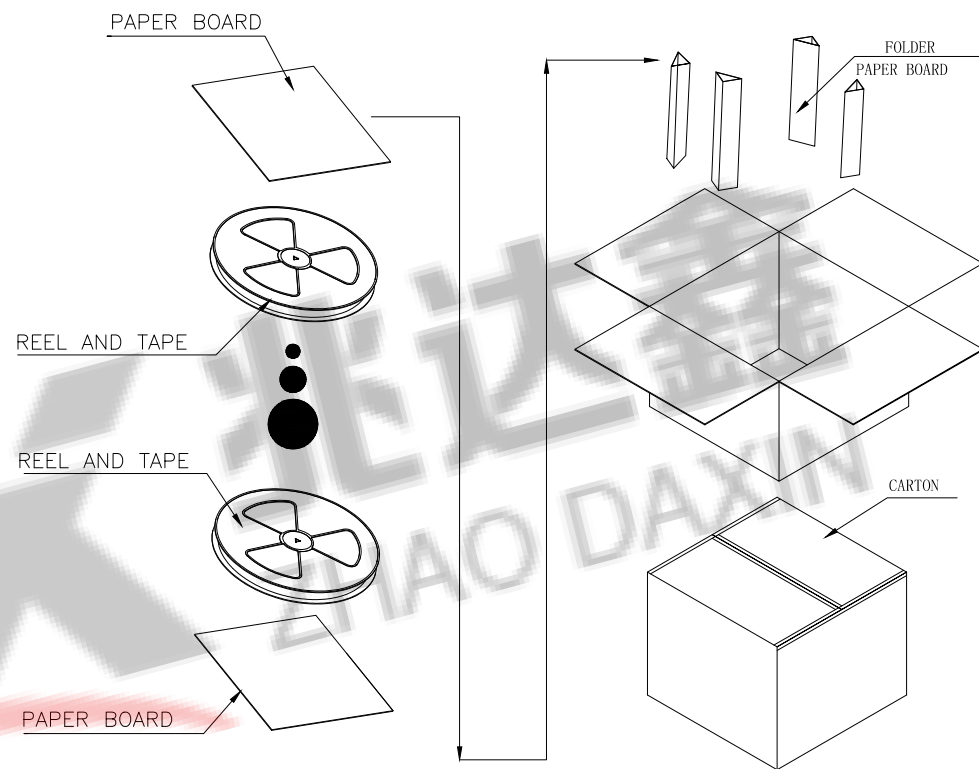
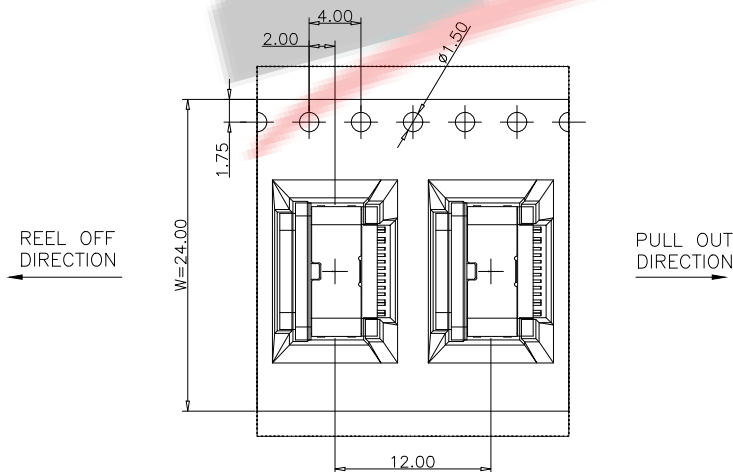
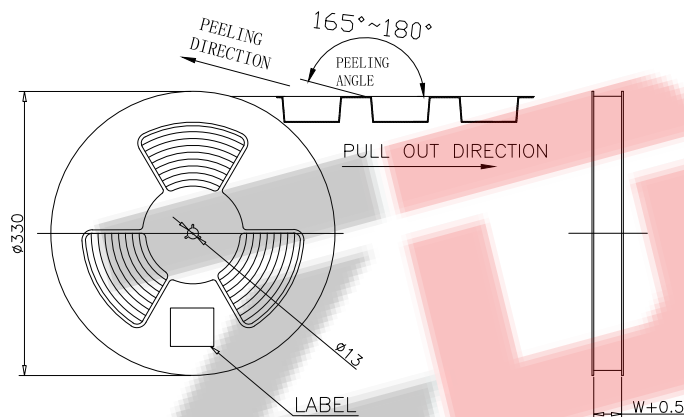
RoHS Compliant

Halogen Free

customer drawing



SEE DETAIL X



	REEL	CARTON
CONNECTOR (PCS)	800	8000

ZDX 深圳市兆达鑫科技有限公司
Shenzhen zhaodaxin Technology Co., Ltd

TITLE: TYPE C 16P 板上防水母座L=7.5mm(B款)
-包装规范
工程图

PART NO.: ZDX-CFMSF162AL23
TEL: 0755-29888153
WEB: <http://www.szzdjmkj.com/>

THIRD ANGLE PROJECTION	UNIT:	SCALE:	SIZE:	SHEET:
	mm	1:1	A4	1/2