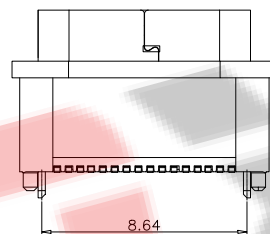
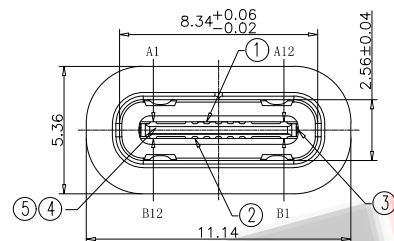
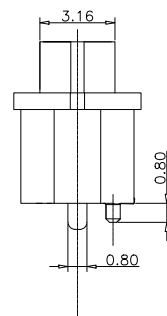
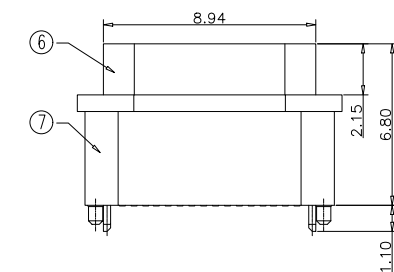
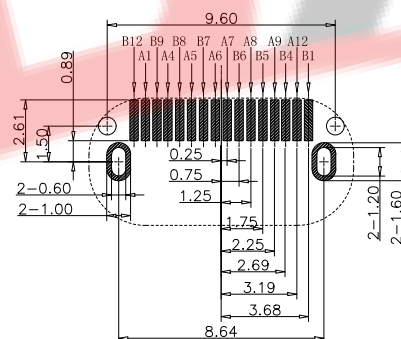
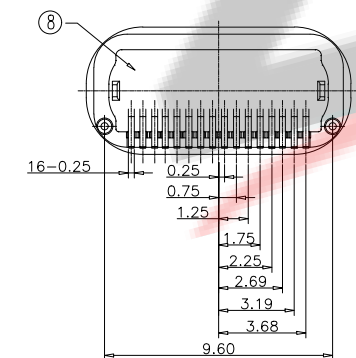
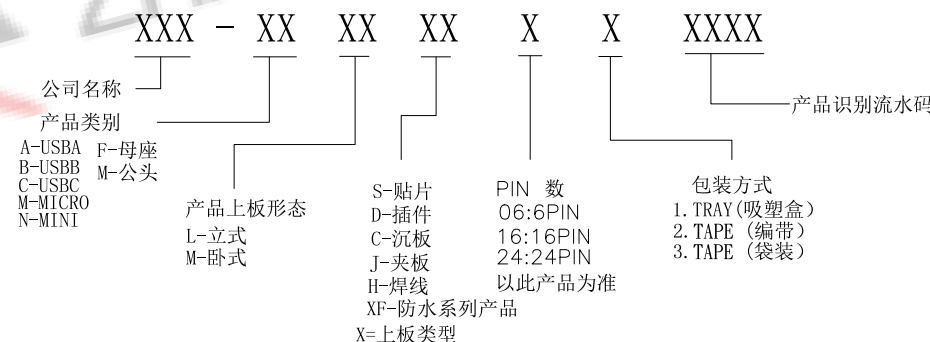


NOTES:

- 1.0. ELECTRICAL CHARACTERISTICS
 - 1.1. LOW LEVEL CONTACT RESISTANCE: 40m ohm MAX FOR ALL CONTACT 50m ohm MAX AFTER ENMRINMENT TEST
 - 1.2. DIELECTRIC WITHSTANDING VOLTAGE: 100 VAC FOR 1 MINUTE SEA LEVEL
 - 1.3. INSULATION RESISTANCE: 100meg ohm MIN
 - 1.4.CURRENT RATING: VBUS AND GND CONTACTS RATED AT 2.5A EA. PARALLELED FOR A TOTAL OF 6A
- 2.0. MECHANICAL CHARACTERISTICS:
 - 2.1. INSERTION FORCE:20N MAX
 - 2.2. EXTRACTION FORCE 1-1000CYCES 8N MN.20 N MAX EXTRACTION FORCE 1001-10000 cYcES 6N MIN. 20 N MAX
 - 2.3.DURABILITY :10,000crES
 - 3.0.OPERATING TEMPERATURE:-55°C TO +85°C



料号编码:



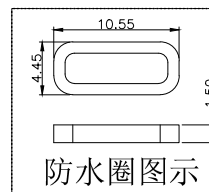
RECOMMEND P.C.B LAYOUT(COMPONENT SIDE) TOLERANCE FOR PCB LAYOUT IS ±0.05

USB TYPE C PIN ASSIGNMENTS

| PIN NUMBER | SIGNAL NAME | PIN NUMBER | SIGNAL NAME |
|------------|-------------|------------|-------------|
| A1 | GND | B12 | GND |
| A4 | VBUS | B9 | VBUS |
| A5 | CC1 | B8 | SBU2 |
| A6 | DP1 | B7 | DN2 |
| A7 | DN1 | B6 | DP2 |
| A8 | SBU1 | B5 | CC2 |
| A9 | VBUS | B4 | VBUS |
| A12 | GND | B1 | GND |

TABLE:

| NO | PART | Q'TY | Material |
|----|-----------------|------|----------------------------------|
| 1 | TOP TERMINAL | 8 | COPPER ALLOY/Au PLATED |
| 2 | BOTTOM TERMINAL | 8 | COPPER ALLOY/Au PLATED |
| 3 | MID PLATE | 1 | STAINLESS STEEL 清洗 |
| 4 | MOLDING 1 | 1 | THERMOPLASTIC PLASTICS |
| 5 | MOLDING 2 | 1 | THERMOPLASTIC PLASTICS |
| 6 | SHELL1 | 1 | STAINLESS STEEL IS NICKEL-PLATED |
| 7 | HOUSING | 1 | THERMOPLASTIC PLASTICS |
| 8 | WATERPROOF GLUE | 1 | EPOXY RESIN |



防水圈图示

ZDX 深圳市兆达鑫科技有限公司 Shenzhen zhaodaxin Technology Co., Ltd

TITLE: TYPE C 16P 防水母座立式贴板 H=6.8mm(大电流)

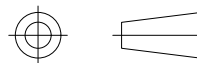
PART NO.:ZDX-CFLSF162AL45

TEL:0755-29888153

WEB:https://szzhaodaxin.com/

工程图

THIRD ANGLE PROJECTION



UNIT:

mm

SCALE:

1:1

SIZE:

A4

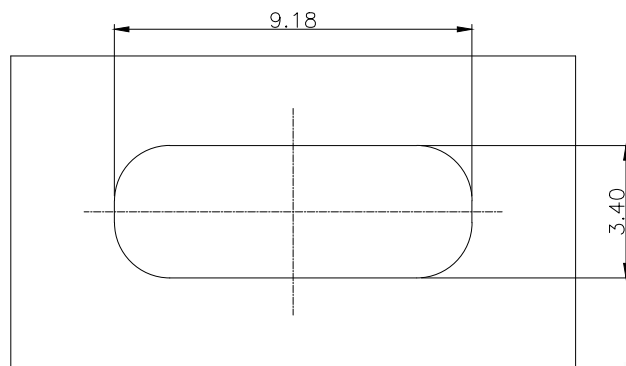
SHEET:

1/3

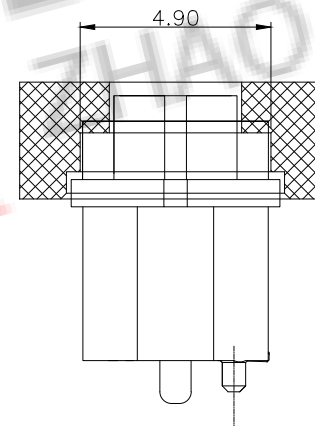
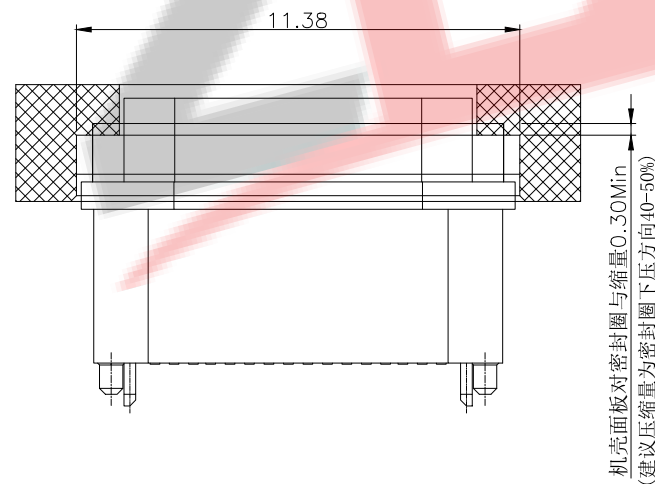
RoHS Compliant

Halogen Free

customer drawing



密封开孔参考尺寸(只供参考)
 组装外壳时需要打环保润滑油



ZDX 深圳市兆达鑫科技有限公司
 Shenzhen zhaodaxin Technology Co., Ltd

TITLE: 直压密封建议尺寸
 工程图

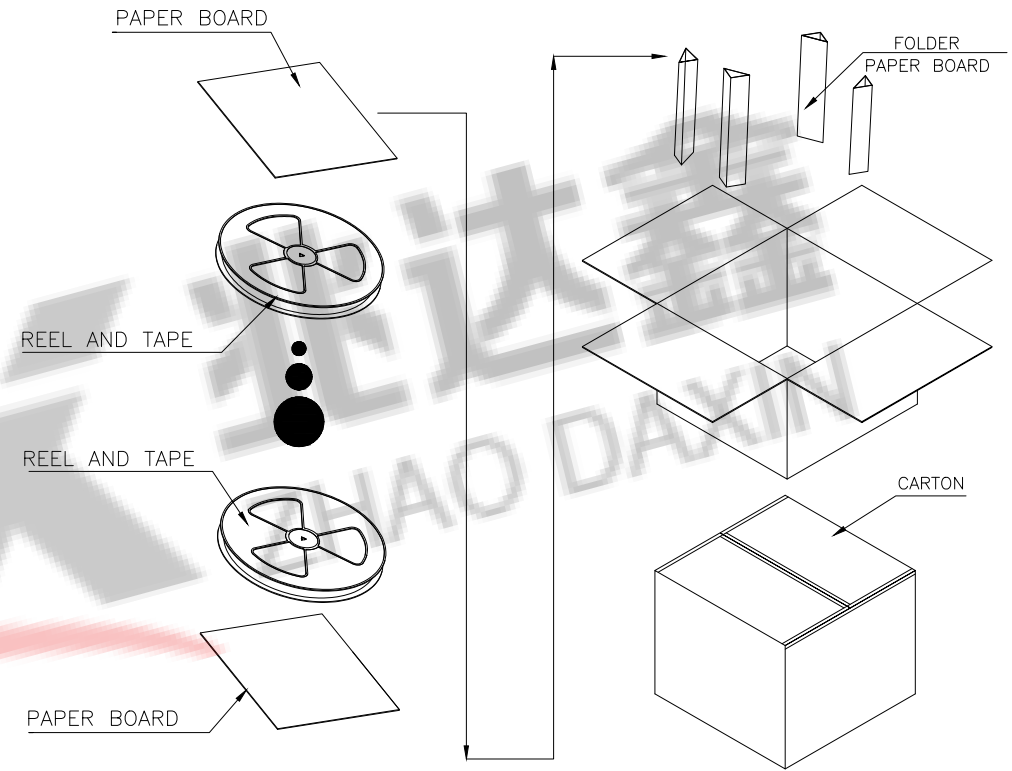
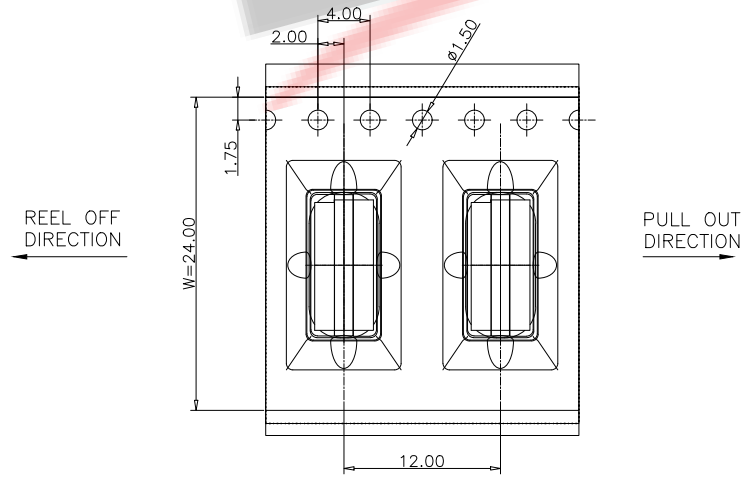
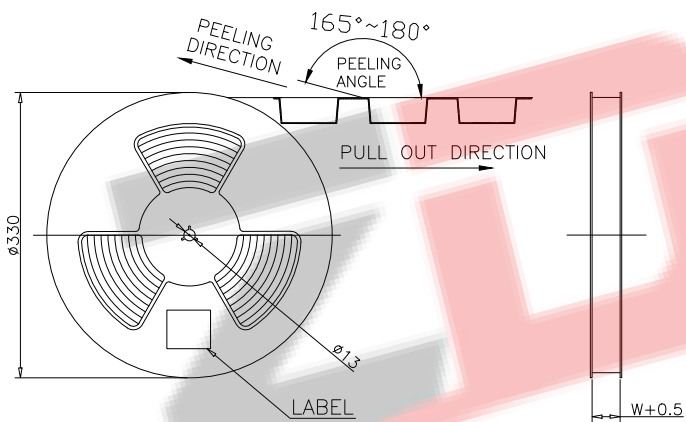
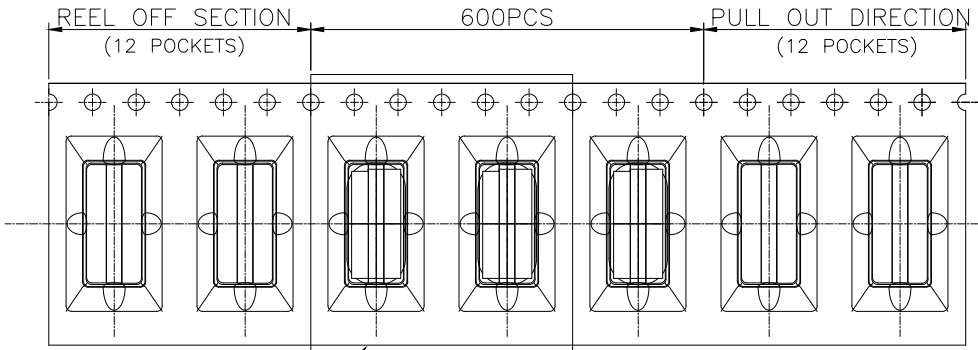
PART NO.: ZDX-CFLSF162AL45
 TEL: 0755-29888153
 WEB: <https://szzhaodaxin.com/>

| | | | | |
|----------------------------|-------|--------|-------|--------|
| THIRD ANGLE PROJECTION | UNIT: | SCALE: | SIZE: | SHEET: |
| | mm | 1:1 | A4 | 2/3 |

RoHS Compliant

Halogen Free

customer drawing



| | | |
|-----------------|------|--------|
| | REEL | CARTON |
| CONNECTOR (PCS) | 600 | 6000 |

ZDX 深圳市兆达鑫科技有限公司
Shenzhen zhaodaxin Technology Co., Ltd

| | | | | |
|---|-------------|--|-------------|---------------|
| TITLE: TYPE C 16P 防水母座立式贴板 H=6.80mm-包装规范 工程图 | | PART NO.:ZDX-CFLSF162AL45 | | |
| | | TEL:0755-29888153 | | |
| | | WEB: https://szzhaodaxin.com/ | | |
| THIRD ANGLE PROJECTION | UNIT: mm | SCALE: 1:1 | SIZE: A4 | SHEET: 3/3 |